

SAVE THESE INSTRUCTIONS



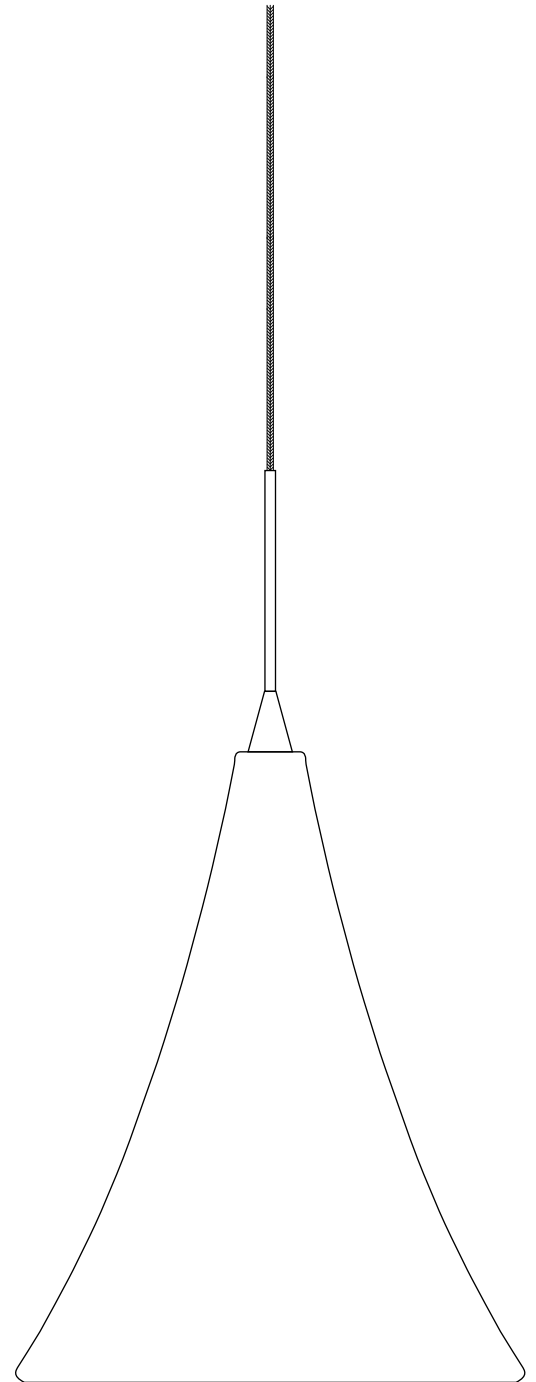
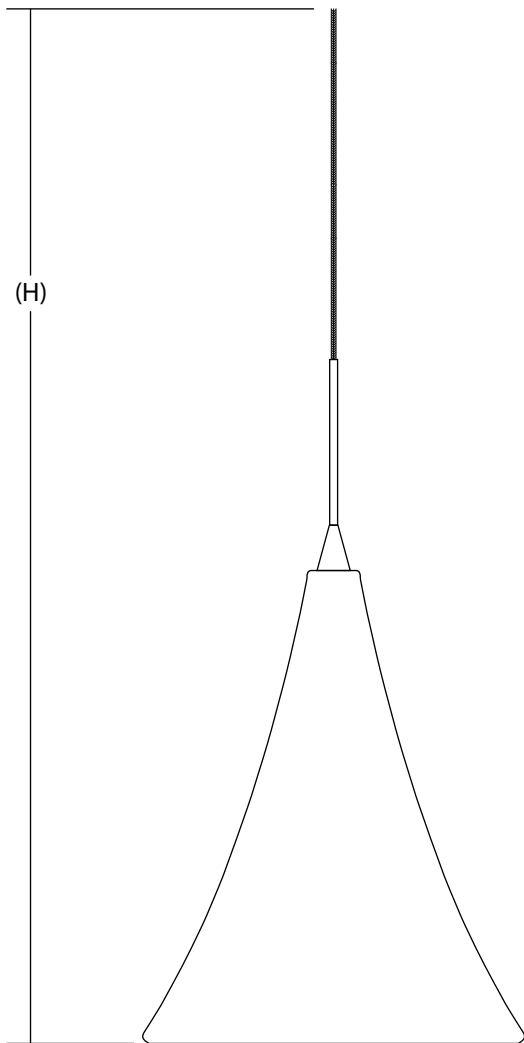
CAUTION: RISK OF FIRE:

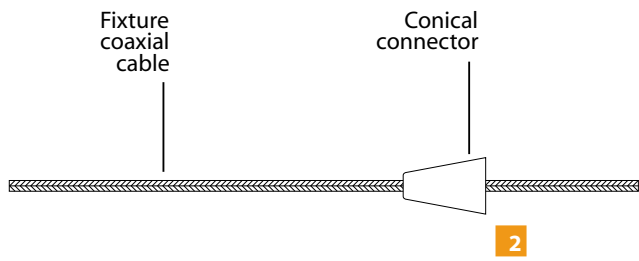
Never replace a Xenon (Xelogen) lamp with a regular Halogen lamp. A regular Halogen lamp requires a protective glass shield.

This product is ETL listed and suitable only for indoor dry locations and approved for use at any height above the finished floor.

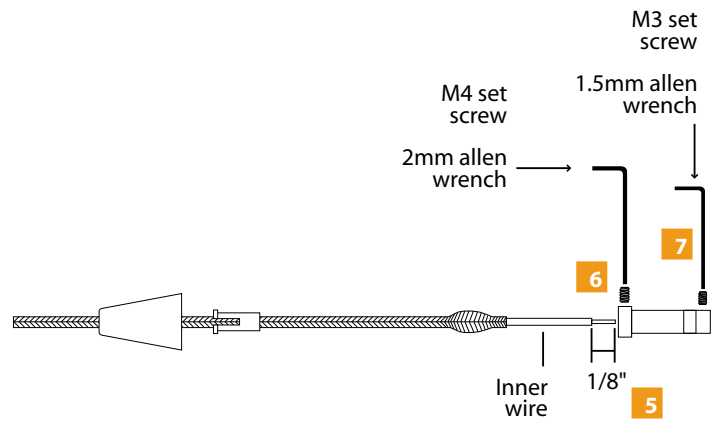
ADJUST THE FIXTURE HEIGHT

- 1 Cut the coaxial cable to the desired length with a sharp cutter. The overall fixture height (H) is measured from bottom of the glass shade to end of the coaxial cable.





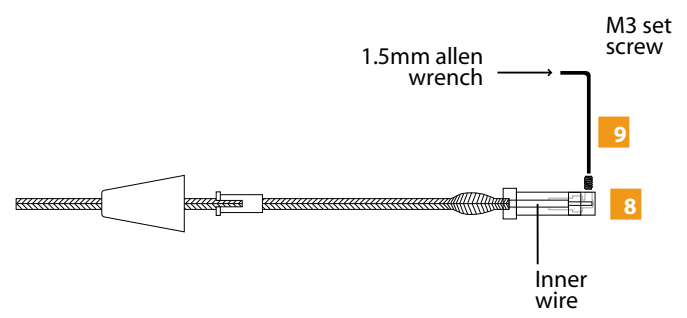
2 Insert the fixture coaxial cable through the conical connector



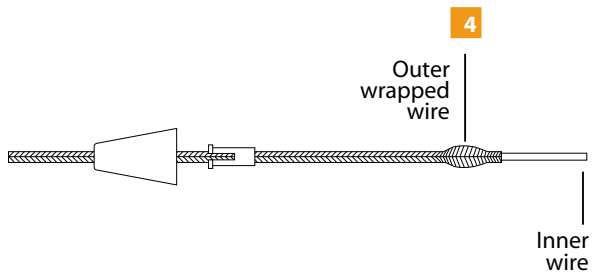
- 5** Strip 1/8" from end of the inner wire. Make sure that the stripped portion is not greater than 3/16".
- 6** Loosen (Do Not Remove) the M4 set screw with the provided 2mm Allen wrench.
- 7** Remove the M3 set screw with the provided 1.5mm Allen wrench.



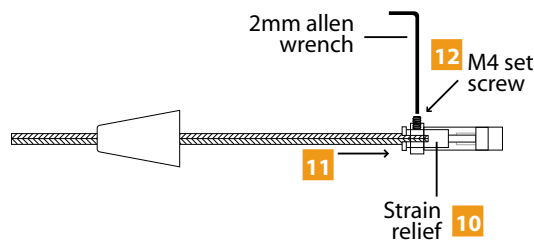
3 Insert the coaxial cable through the flared end of the strain relief.



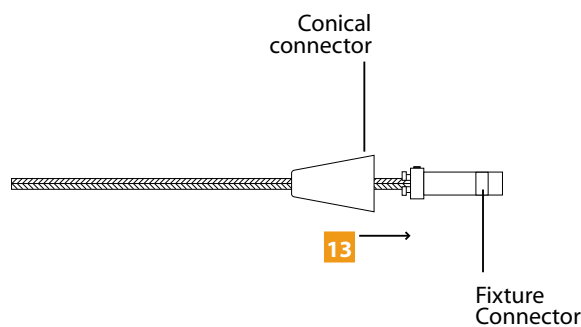
- 8** While inserting the inner wire into the connector look through the set screw hole to make sure that the stripped portion of the inner wire contacts end of the connector.
- 9** Hold the coaxial cable in place; replace and tighten the M3 set screw with the 1.5MM Allen wrench. Lightly tug on the coaxial cable to make sure that the set screw connection is tight.



4 Slide the outer wrapped wire back to expose the inner wire.



- 10** The strain relief slots should be rotated 90° away from the M4 set screw.
- 11** Slide and push the strain relief completely into the connector. This will force the outer wrapped wire to be inserted into the connector.
- 12** Tighten the M4 set screw with the 2mm allen wrench so that the strain relief holds the outer wrapped wire in place.



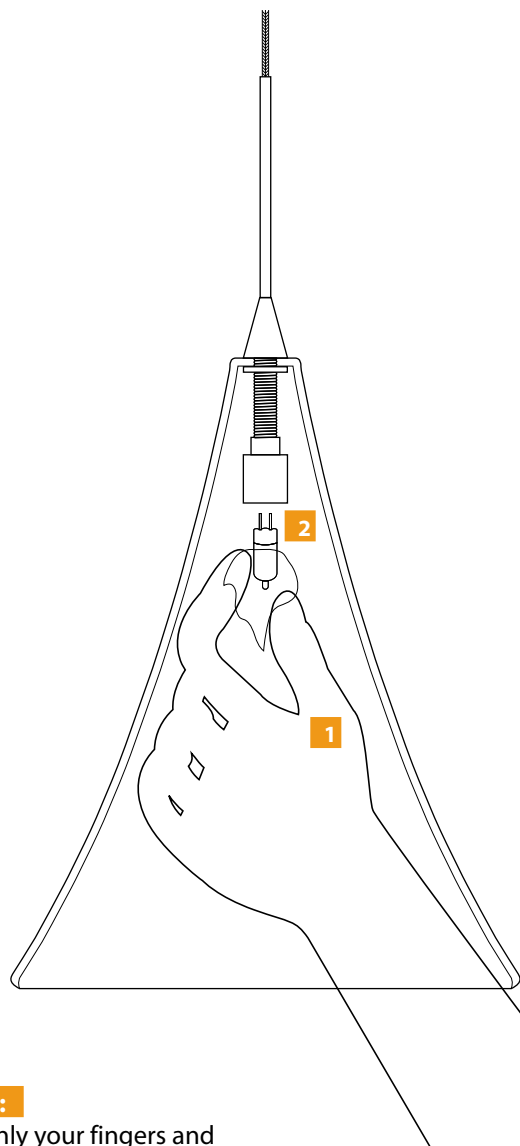
- 13** Slide the conical connector over the fixture connector.

To install the fixture, refer to the instructions provided with the system.

SAVE THESE INSTRUCTIONS

INSTALL THE LAMP

- 1** Use only your fingers and soft cloth to place the lamp.
- 2** Push the lamp pins completely into the socket holes.



NOTE:
Use only your fingers and soft cloth to replace the lamp.

Use MAX 35 Watt, Type Xelogen (Xenon) Bi-Pin Lamp.

WARNING: RISK OF FIRE
Never replace a Xenon (Xelogen) lamp with a regular Halogen lamp. A regular Halogen lamp requires a protective glass shield.