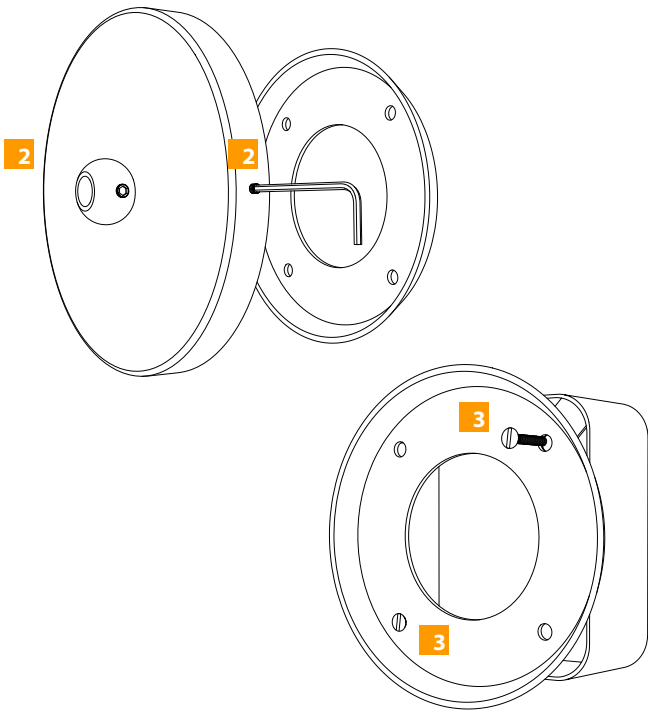
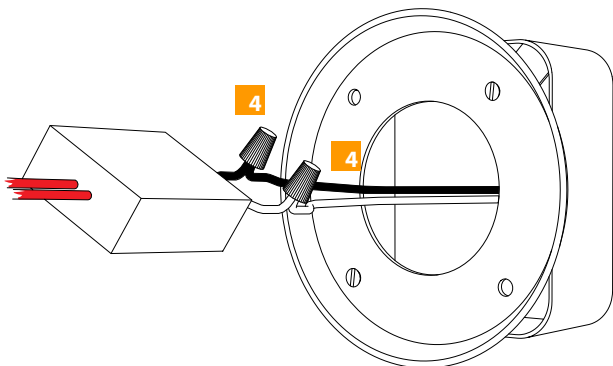


Installation Instructions for BKPL102 Universal Low Voltage Wall Bracket

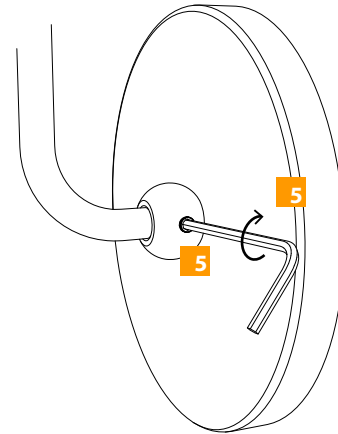
- 1 Turn off power.
- 2 Loosening set screws, remove backplate from backplate cover.
- 3 Install backplate onto junction box.



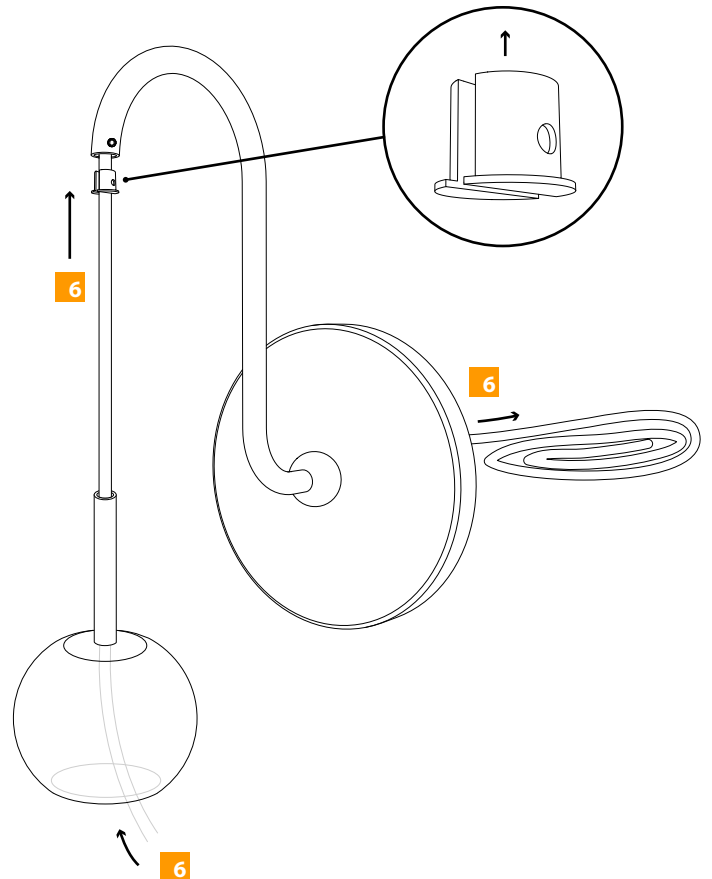
- 4 Using wire nuts provided, connect black and white wires of transformer to wires in j-box.



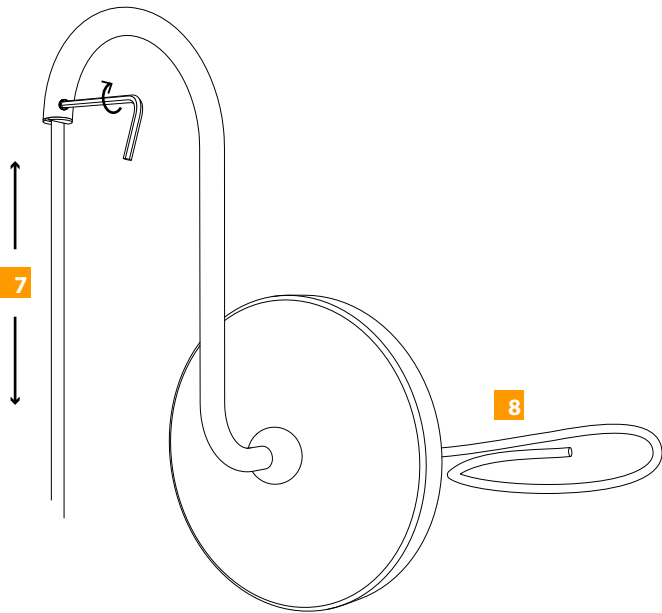
- 5 Install gooseneck onto backplate cover and secure with set screws.



- 6 Feed coax through glass opening. Slip black plastic strain relief over coax, then feed coax through gooseneck.



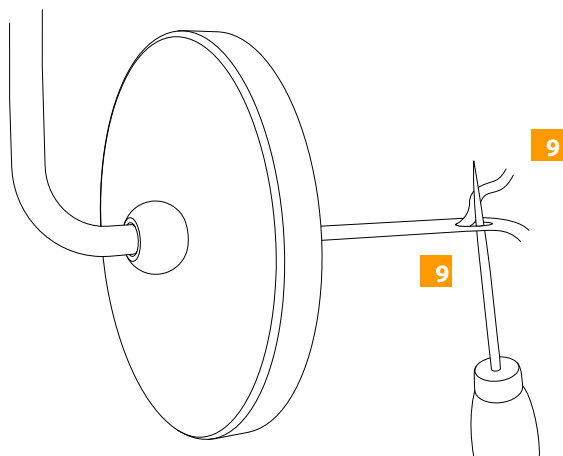
- 7** Adjust coax to desired height, then press plastic strain relief into gooseneck opening and gently tighten set screw against strain relief to secure coax.



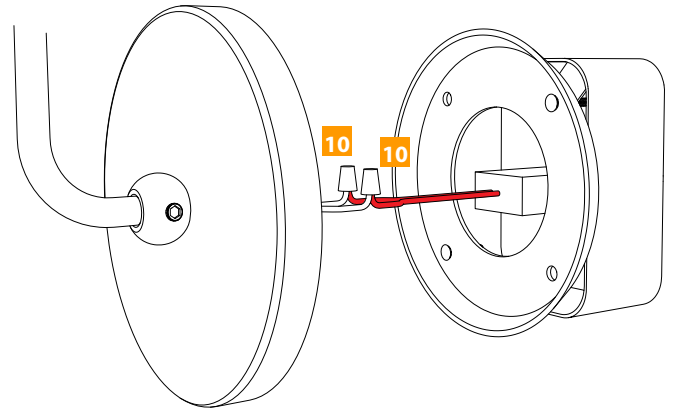
- 8** Cut excess coax, leaving 6" extra for wiring

- 9** Bunch coax outer jacket at 3" to separate braided jacket. Using an awl or micro screwdriver, pull inner coax wire through braid separation, leaving 3" leads.

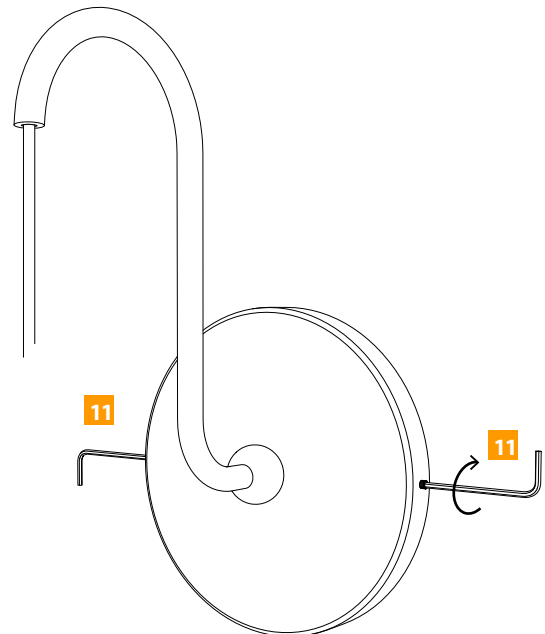
Strip inner coax wire at 1/2"



- 10** Connect red transformer wires to fixture wires, using wire nuts provided.



- 11** Install backplate cover on mounted backplate with hex nuts.



- 12** Install bulb.

- 13** Test Fixture.

SAVE THIS INSTRUCTIONS