

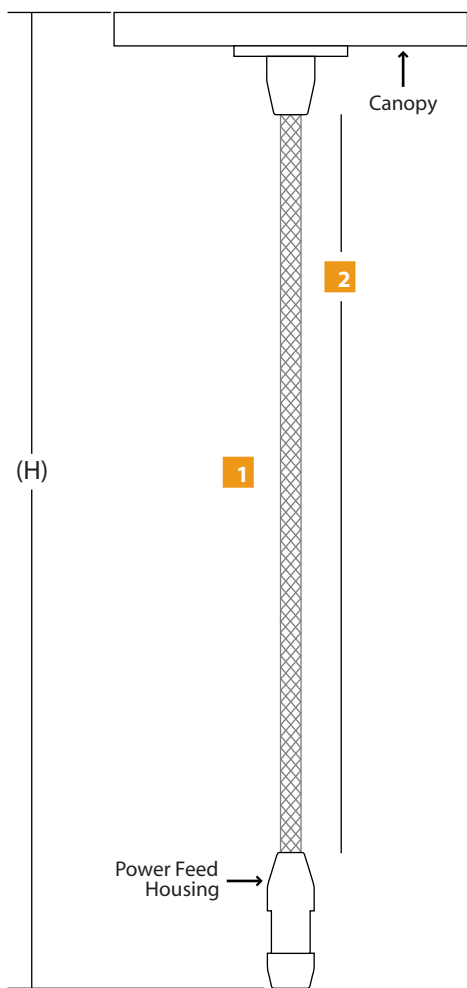
SAVE THESE INSTRUCTIONS

This product is suitable for indoor dry locations only.
Minimum volume of the electrical box must be 6 cubic inches (98 cubic centimeter).



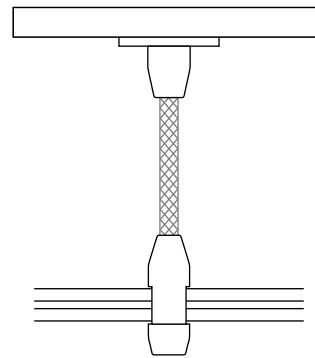
ADJUST THE FIXTURE HEIGHT

- 1** The overall fixture height (H) is measured from top of the canopy to the bottom of the power feed. Leave an additional 4" of the coaxial cable for connecting to power.
- 2** Once the height is determined, cut the excess coaxial cable.

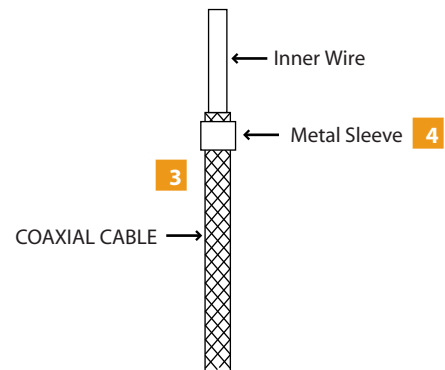
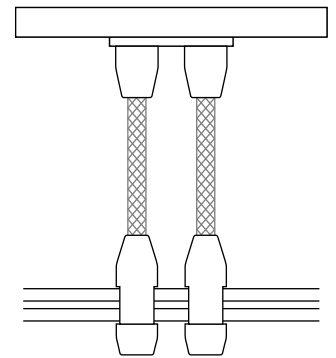


NOTE It is recommended to adjust the power feed height before installing the canopy.

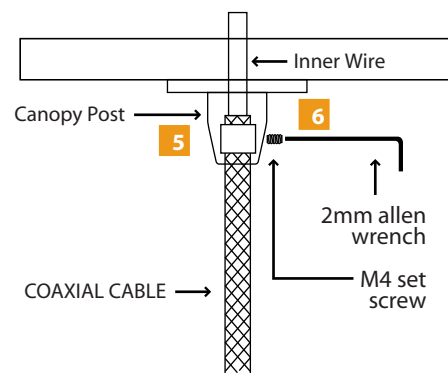
Single Feed Remote Canopies



Dual Feed Remote Canopies



- 3** Strip the last 4" of the coaxial outer mesh to expose the inner insulated wire.
- 4** Slide the metal sleeve down the wire to the edge of the coaxial cable.

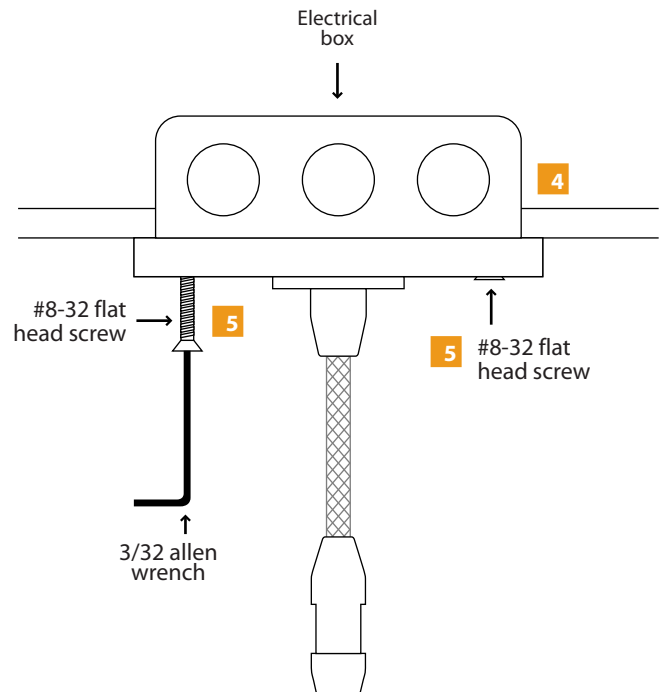
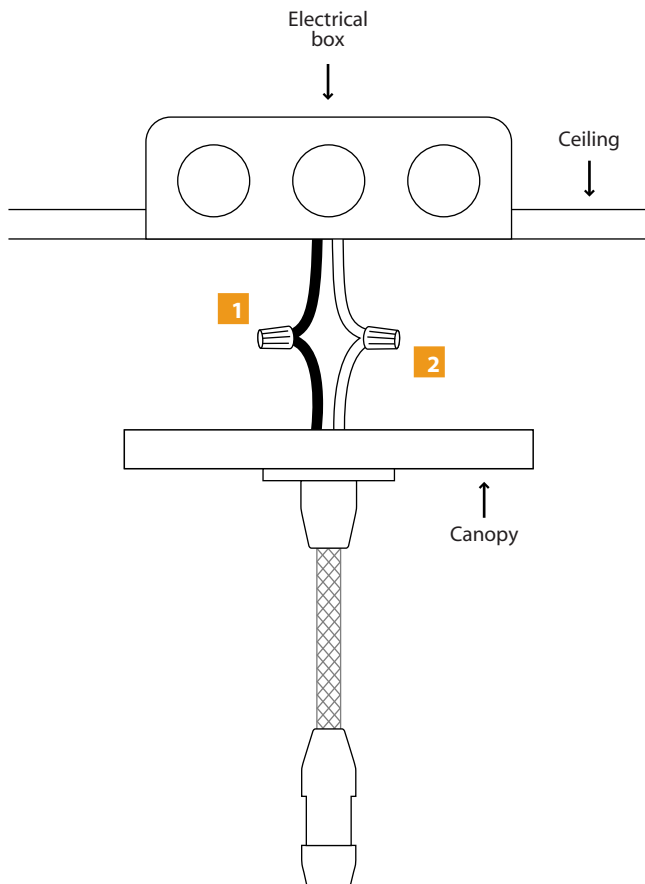


- 5** Feed the coaxial cable up and into the canopy post.
- 6** Slide the metal sleeve up into the canopy post and secure by tightening the M4 set screw with the provided 2mm Allen wrench.
- 7** For dual power feed canopies: Repeat steps 1-7 for the second power feed cable.

INSTALL THE POWER FEED CANOPY

NOTE: The low voltage wires should be present in the electrical box prior to these steps. Refer to the instructions provided with the remote transformer to install the remote transformer and low voltage wires.

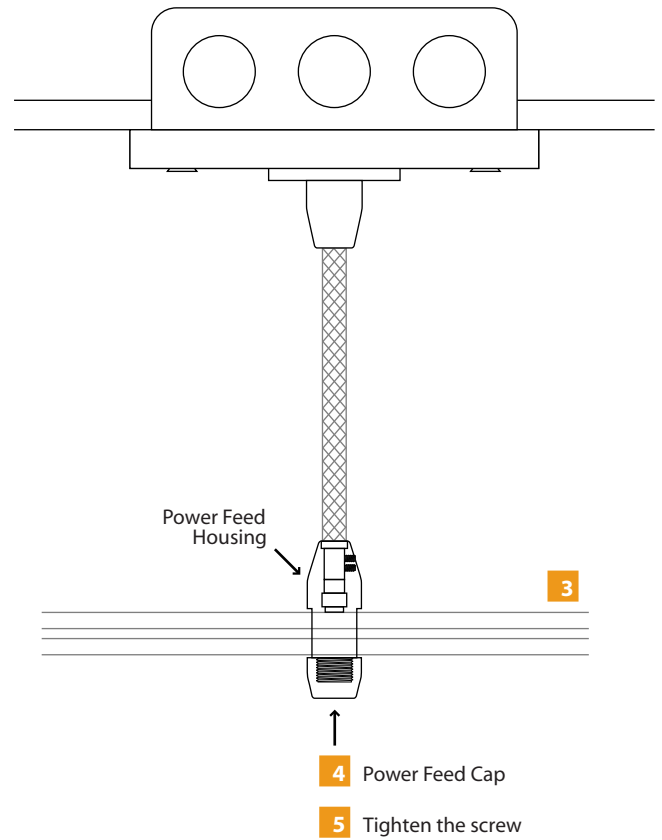
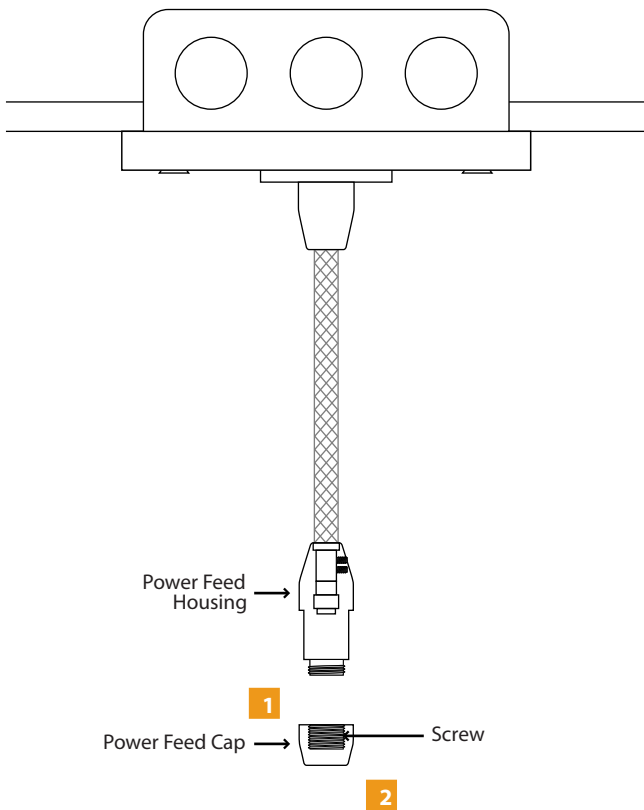
- 1** Connect the inner cable wire to one low voltage wire with a wire nut.
- 2** Connect the other canopy wire to the other low voltage wire with a wire nut.
- 3** For dual power feed canopies: Repeat steps 1-2 for the second power feed cable.



- 4** Place all wires and wire nut connections inside the electrical box.
- 5** Tighten the two provided #8-32 flat head screws to the electrical box holes with the 3/32 Allen wrench to secure the canopy in place.

Connect the Monorail to the Power Feed Canopy

NOTE: The hangers should be installed to support the Monorail while connecting Monorail to the power feed canopy.
Refer to the instruction provided with the hangers.



1 Remove the power feed cap from the power feed housing.

2 Completely back out the screw on the power feed cap.

3 Place the Monorail into the hangers and power feed housings.

4 Screw the power feed cap completely to the power feed housing. Make sure that the power feed cap is not cross threaded.

5 Tighten the screw on the power feed cap for proper power connection.

6 For dual power feed canopies: Repeat steps 1-5 for the second power feed.

SAVE THESE INSTRUCTIONS