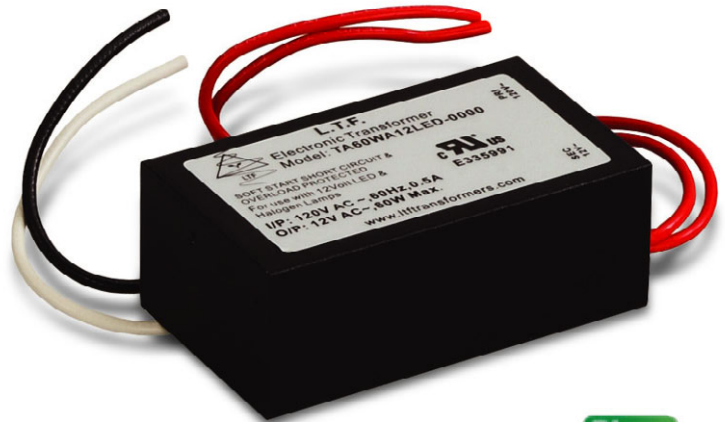


- No Load Technology, Optimized for Low Voltage LED & Halogen Bulbs!
- No load technology; works with both Halogen and LED AC loads.
- Isolated output power per NEC and UL safety requirements.
- UL recognized, meets UL2108 requirements.
- Auto-reset, Short circuit, Overload and Thermal protection.
- Soft Start.
- Dimmable.
- Aluminum casing for optimal heat dissipation.
- Low profile, small form factor junction box mountable.

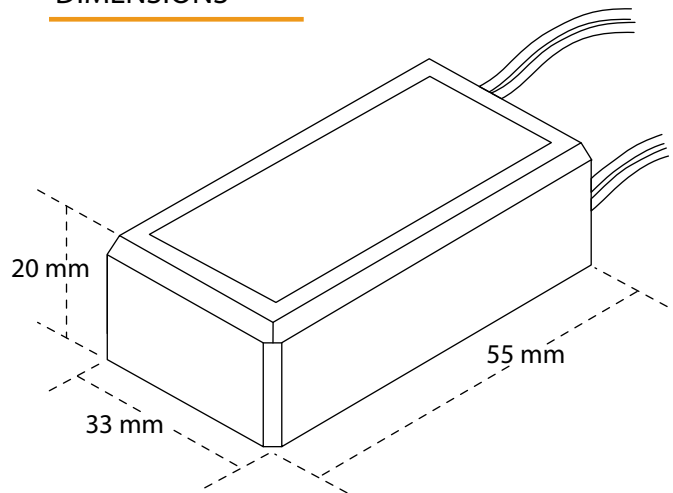


\* 120V or 277V versions available.

### ELECTRICAL SPECIFICATIONS

Input Voltage / 60Hz	120VAC
Input Current @ 60W	0.5A
Output Voltage	11.8V AC
Power Factor (Min.)	0.98
Max. Case temperature (Tc)	90°C
Weight	81.5g
Dimension: LxWxH(mm)	55x33x20
UL1310, Class 2	Yes

### DIMENSIONS



### COMPATIBLE BULB TYPES

Type Watts	Bulb	Base	Ordering Code	Finish	Average Rate Life	Color Temperature	Initial Lumens
MR11/3		GU4	LMPND3	Clear	25000	3000K	150
MR16/3		GU5.3	LMPD3	Clear	50000	3000K	200
MR16/3		GU5.3	LMPD3C (ceramic)	Clear	50000	3000K	330
MR16/6		GU5.3	LMPD5	Clear	50000	3000K	
JC/2		G4	LMPL2	Clear	25000	3000K	120
Module/6		G4	LMPL5N	White	40000	3500K	330
Module/6		G4	LMPL5W	White	40000	2700K	330

LOW VOLTAGE ELECTRONIC TRANSFORMER 60W 12 VAC, Model : PWE60NL



DIMMER SPECIFIC MEASUREMENTS:				Aesthetic Performance Observations													COMMENTS		
Dimmer Description		Electrical Measurement 1 Fixture		Overall Results	HE Light Level	LE Light Level	H.E. dead travel	L.E. dead travel	Steppy dimming	Flicker	Shimmer	Does not turn off	Buzzing	Start time at L.E.	Pop-on	Min. # of fixtures		LUT-LBX required?	
Model Number	Type	High End	Low End																
VTELV-600M	RP	112 V	37 V	Pass	94%	1%	+	+	+	+	+	+	+	+	+	+	+	1	
MAELV-600	RP	114 V	38 V	Pass	95%	1%	+	+	+	+	+	+	+	+	0	+	+	1	Start time just over 1 sec.
MRF2-6ELV	RP	108 V	49 V	Pass	90%	3%	+	+	+	+	+	+	+	+	+	+	+	1	
NTELV-600	RP	112 V	43 V	Pass	93%	2%	+	+	+	+	+	+	+	+	+	+	+	1	
DVELV-300P	RP	112 V	34 V	Pass	93%	1%	+	+	+	+	+	+	+	+	+	+	+	1	
NELV-450	RP	112 V	45 V	Pass	95%	4%	+	+	+	+	+	+	+	+	+	+	+	1	
PHPM-WBX w/DVF-103P	RP	116 V	37 V	Pass	98%	1%	+	+	+	+	+	+	+	+	+	+	+	1	
HW/LP-RPM-4A-120	RP	117 V	38 V	Pass	100%	1%	+	+	+	+	+	+	+	+	+	+	+	1	
HxD-5NE	RP			Fail	0%	37%	+	+	0	-	-	+	+	0	+	+	+	1	LED shimmer/flicker below 80V almost 40% low end dim
RRD-6NA	RP	106 V	41 V	Pass	86%	4%	+	+	+	+	+	+	+	0	+	+	+	1	Low end set for start time under 3 sec. does not change much regardless of setting. High End set at max.

DIMMING PERFORMANCE KEY (see explanation details)	+ = No issue observed <span style="color:blue">■</span> 0 = Underperforming, but likely not an issue to typical consumer <span style="color:yellow">■</span> - = Poor performing <span style="color:orange">■</span>		
TYPE LEGEND	FP = Forward Phase	RP = Reverse Phase	TV = 0-10V (Sink)      TVS = 0-10V (Source)      PWM = Pulse width Modulation      ND = Non Dim (switched only)