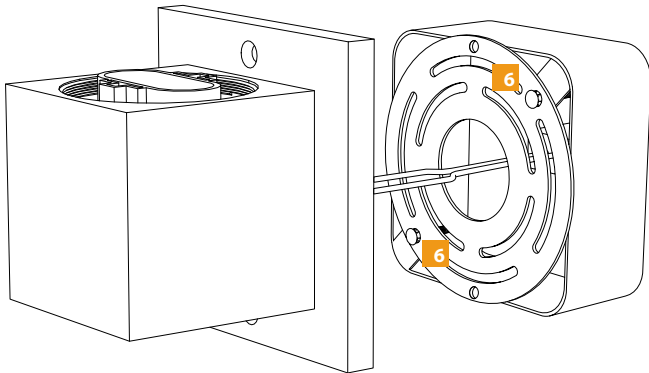


SAVE THIS INSTRUCTIONS

Installation instructions for: WS0150P

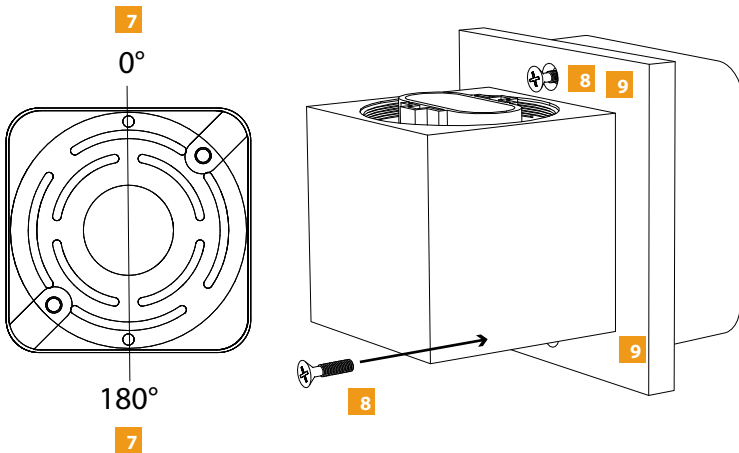
6 Attach universal Cross Bar with two short screws (included).



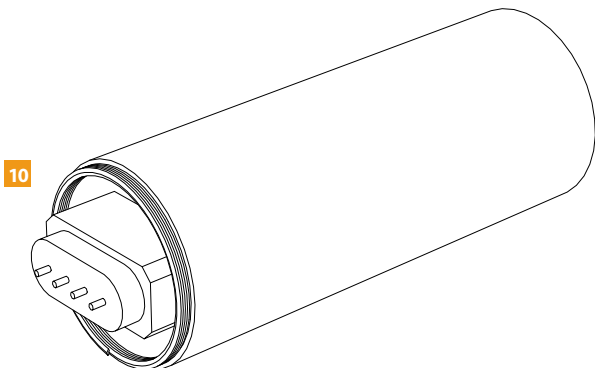
7 Orient Cross Bar with holes at 0° and 180° degrees.

8 Mount fixture with screws that were originally obscured by glass upon unpacking.

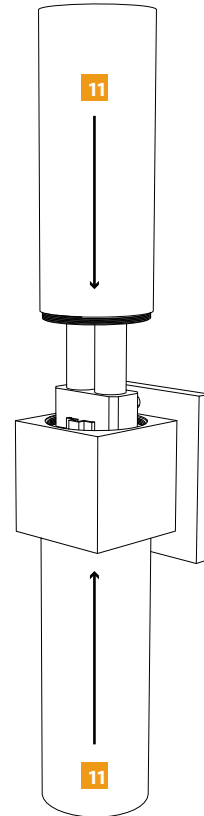
9 Tighten body till snug



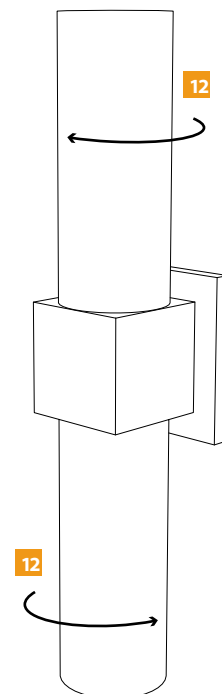
10 IMPORTANT:
BULBS TO BE INSERTED INTO GLASS END AND BULB PINS SEATED COMPLETELY INTO LAMPHOLDER BEFORE SCREWING GLASS BACK IN PLACE.



11 Install the diffuser over the bulb, be careful not to cross thread.



12 Gently screw glass back in clockwise until fully seated.



13 Power Luminaire.