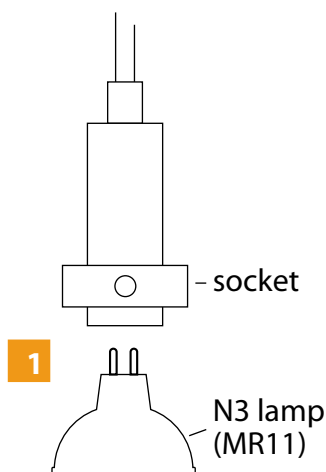


SAVE THESE INSTRUCTIONS

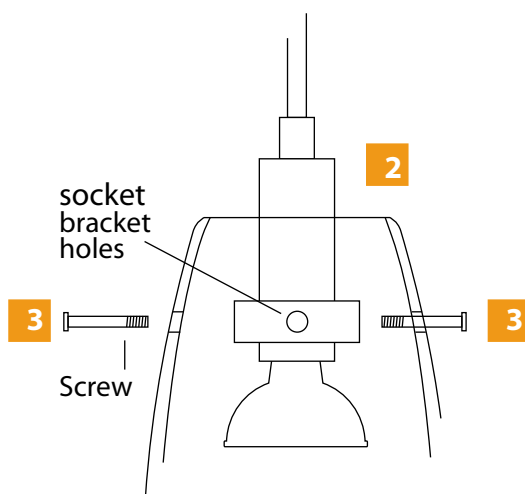
CAUTION: RISK OF FIRE

- This product must be installed by a qualified electrician.
- Turn off power at circuit breaker before installing.
- To reduce risk of fire or electrical shock use this fixture indoors only.
- This product is suitable for indoor dry locations only.
- This product can be dimmed with a standard incandescent dimmer.

INSTALL THE LAMP



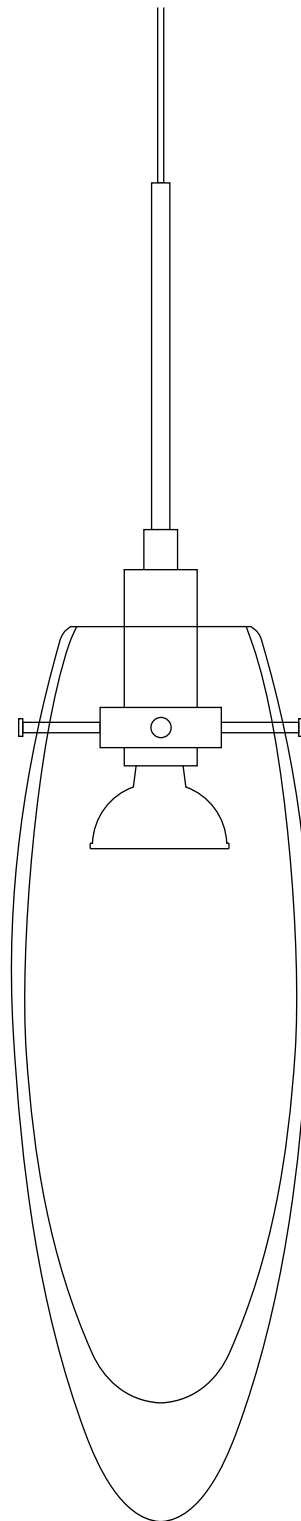
INSTALL THE GLASS



- 1** Insert the lamp into the socket.
- 2** Place the glass shade onto the socket bracket and align the glass shade holes with socket bracket holes.
- 3** Tighten the three thumb screws through the glass shade holes completely into the socket bracket holes to secure the glass shade in place.
- 4** Refer to the instructions provided with the canopy to install the fixture.

PROLONGING HALOGEN LAMP LIFE

- Avoid touching the lamp with bare hands during installation. Rubbing alcohol can be used to remove any contaminant.
- Do not run the lamps at full power when you do not need to.



Note:
A new halogen lamp may smoke slightly when it is used for the first time. This is perfectly normal; the protective coating is simply being vaporized.