

SACK LINE VOLTAGE INSTALLATION INSTRUCTIONS

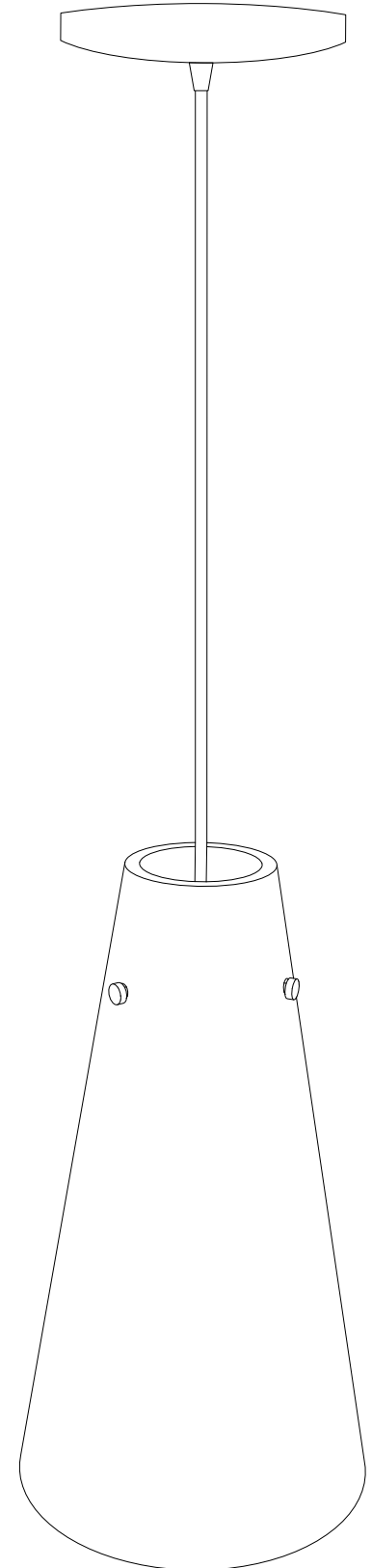
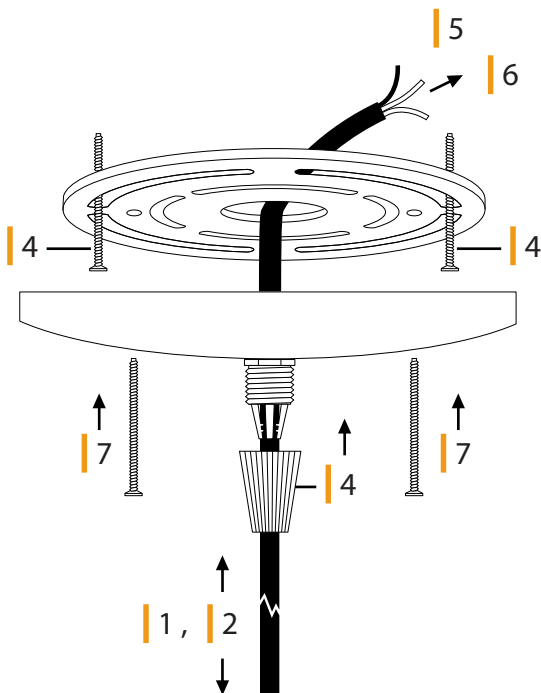
SAVE THESE INSTRUCTIONS

CAUTION, RISK OF FIRE:



- This product must be installed by a qualified electrician.
- Turn off power at circuit breaker before installing.
- To reduce risk of fire or electrical shock use this fixture indoors only.
- This product is suitable for damp locations.
- Use Max 20 Watt E26 Medium base self-ballasted spiral pact fluorescent lamp.

- 1 Feed the cord through the cord grip into the canopy.
- 2 Adjust the height by moving the cord up or down.
- 3 Hand tighten the cap when desired height is achieved.
- 4 Mount the universal mounting bracket to the electrical box with two #8-32 screws.
- 5 Connect the green wire to the green ground mounting bracket screw.
- 6 Connect the black and white wires from the fixture to the corresponding power and neutral wires in electrical box using supplied wire nuts.
- 7 Attach canopy plate to universal mounting bracket with supplied #8-32 screws.



REPLACING GLASS SHADE

- 1** The glass shade on this fixture usually ships assembled.
- 2** To replace lamp first turn off power, unscrew the lamp from the socket and replace with new lamp.
- 3** To replace glass first turn off power, remove lamp from socket and remove the 3 thumb screws while holding the glass.
- 4** Reverse the process to install new glass shade.

