

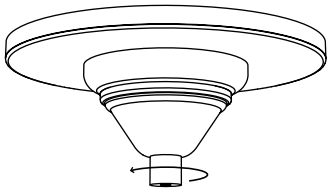
SAVE THESE INSTRUCTIONS

CAUTION, RISK OF FIRE:

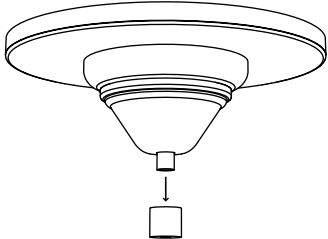


- This product must be installed by a qualified electrician.
- Turn off power at circuit breaker before installing.
- To reduce risk of fire or electrical shock use this fixture indoors only.
- This product is suitable for damp locations.

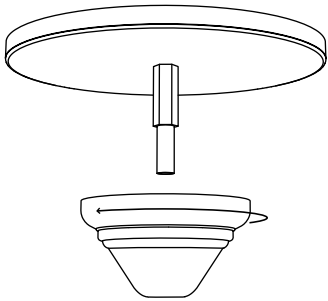
1 Unthighten pieces following figures 1 to 5



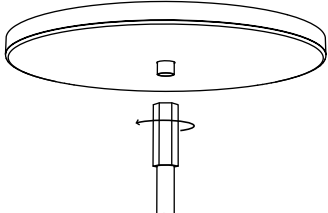
2



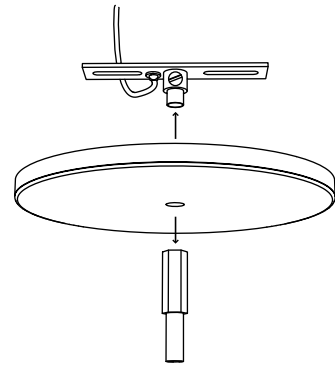
3



4

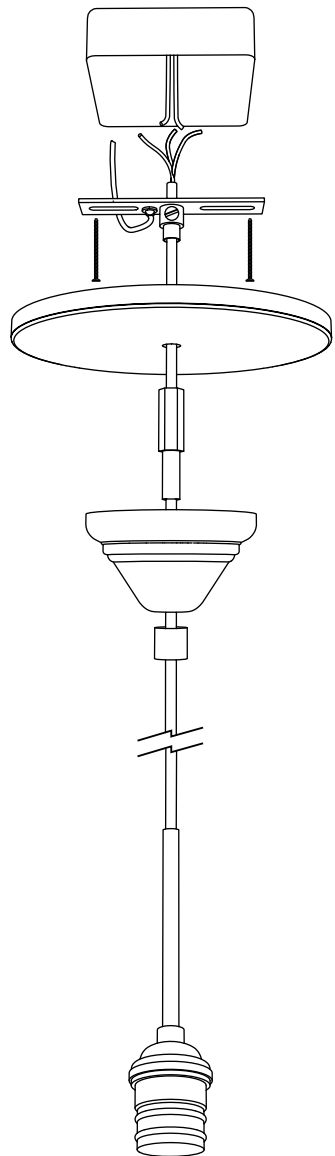


5



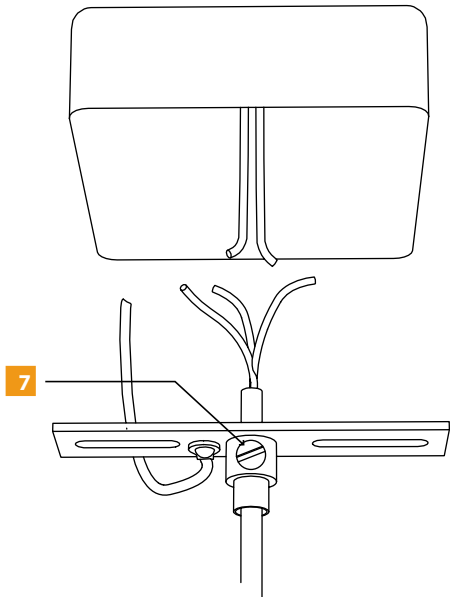
6

Feed the cord through all pieces into the canopy, as shown in below figure.

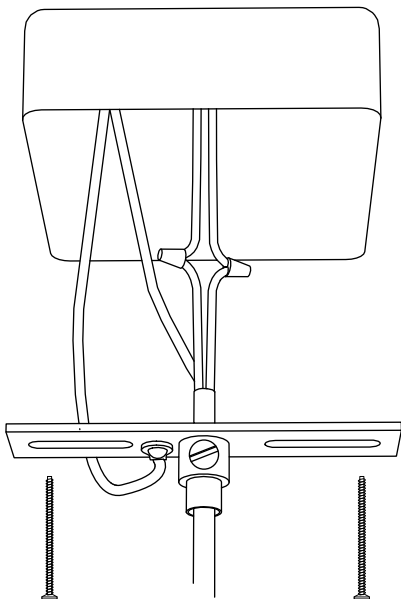


ADJUST THE FIXTURE HEIGHT

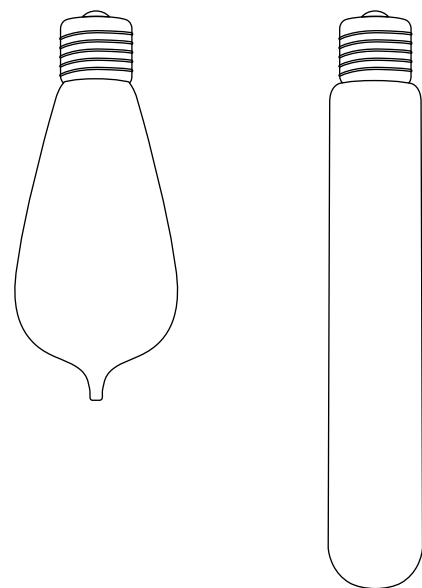
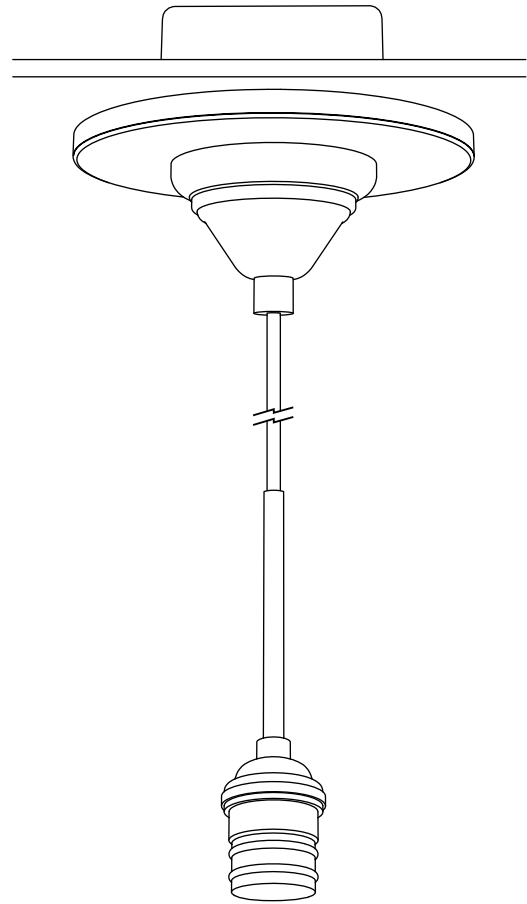
7 Adjust the height by moving the cord up or down. use a screwdriver to tighten the setscrew when desired height is achieved.



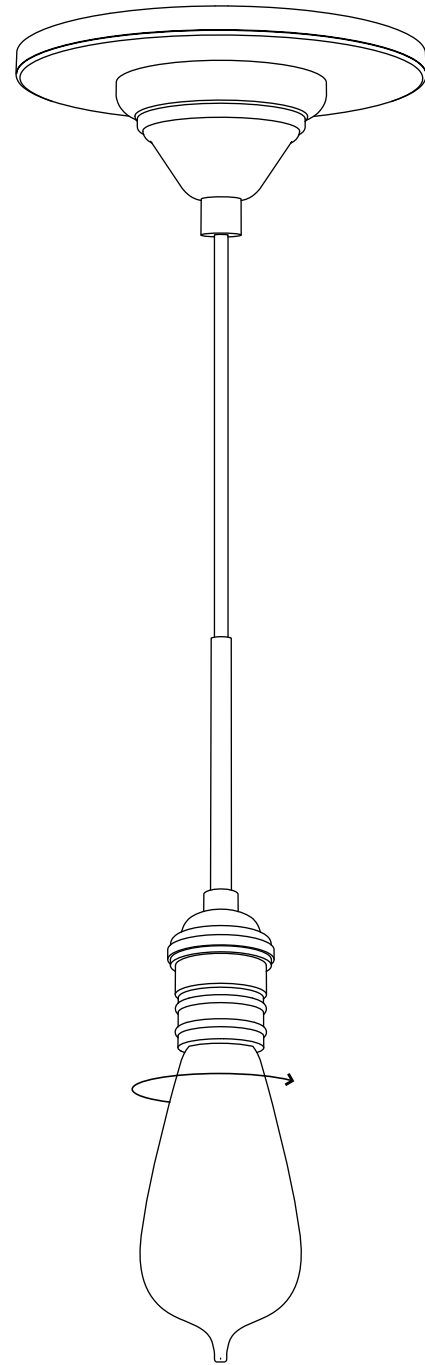
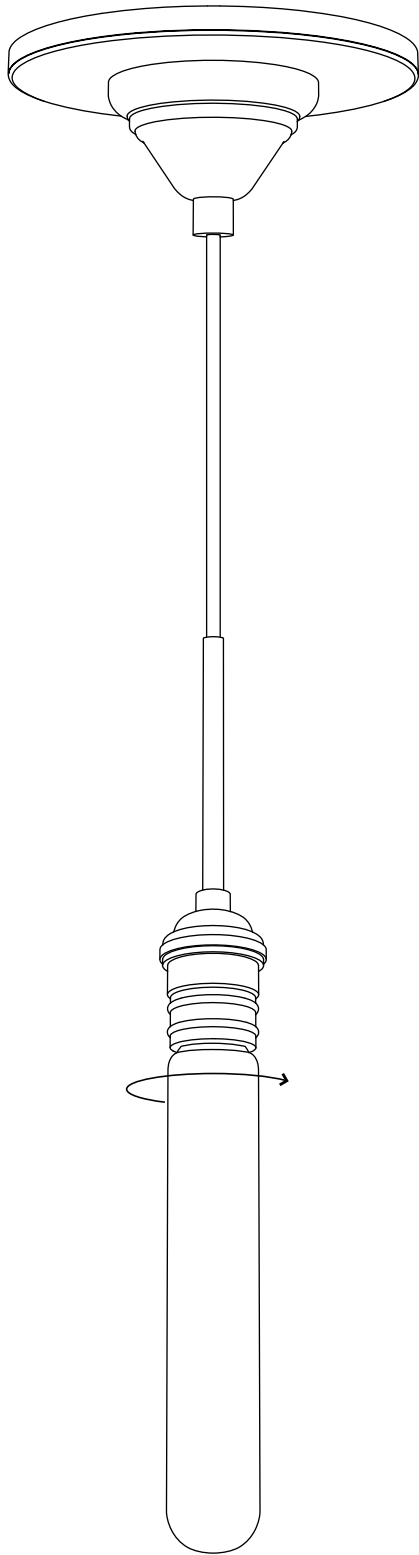
8 Connect the black and white wires from the fixture to the corresponding power and neutral wires in electrical box using supplied wire nuts.



9 Replace all pieces that were removed in step 1.



10 Install bulb as shown



SAVE THESE INSTRUCTIONS