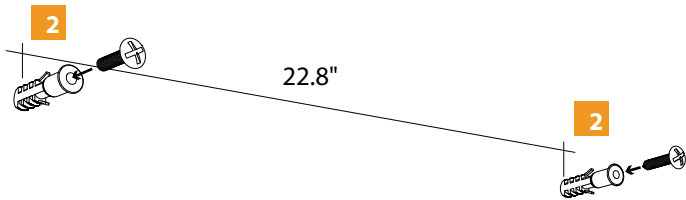
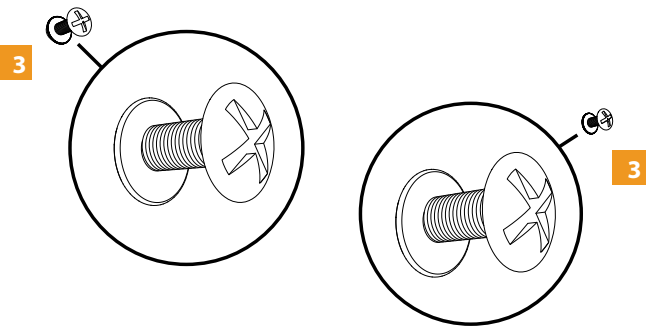


Installation instructions for MRRT2432LED30K Mason Mirror

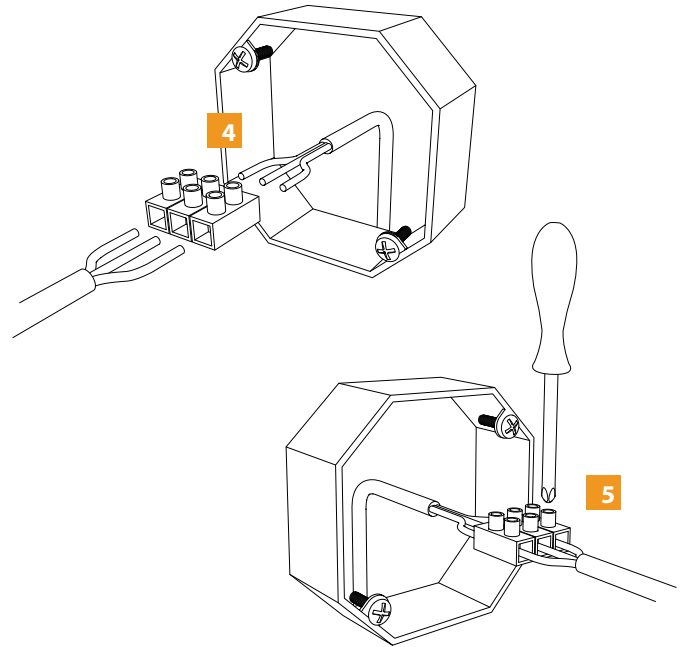
- 1 Turn off power.
- 2 Make small marks in the wall as in figure below:



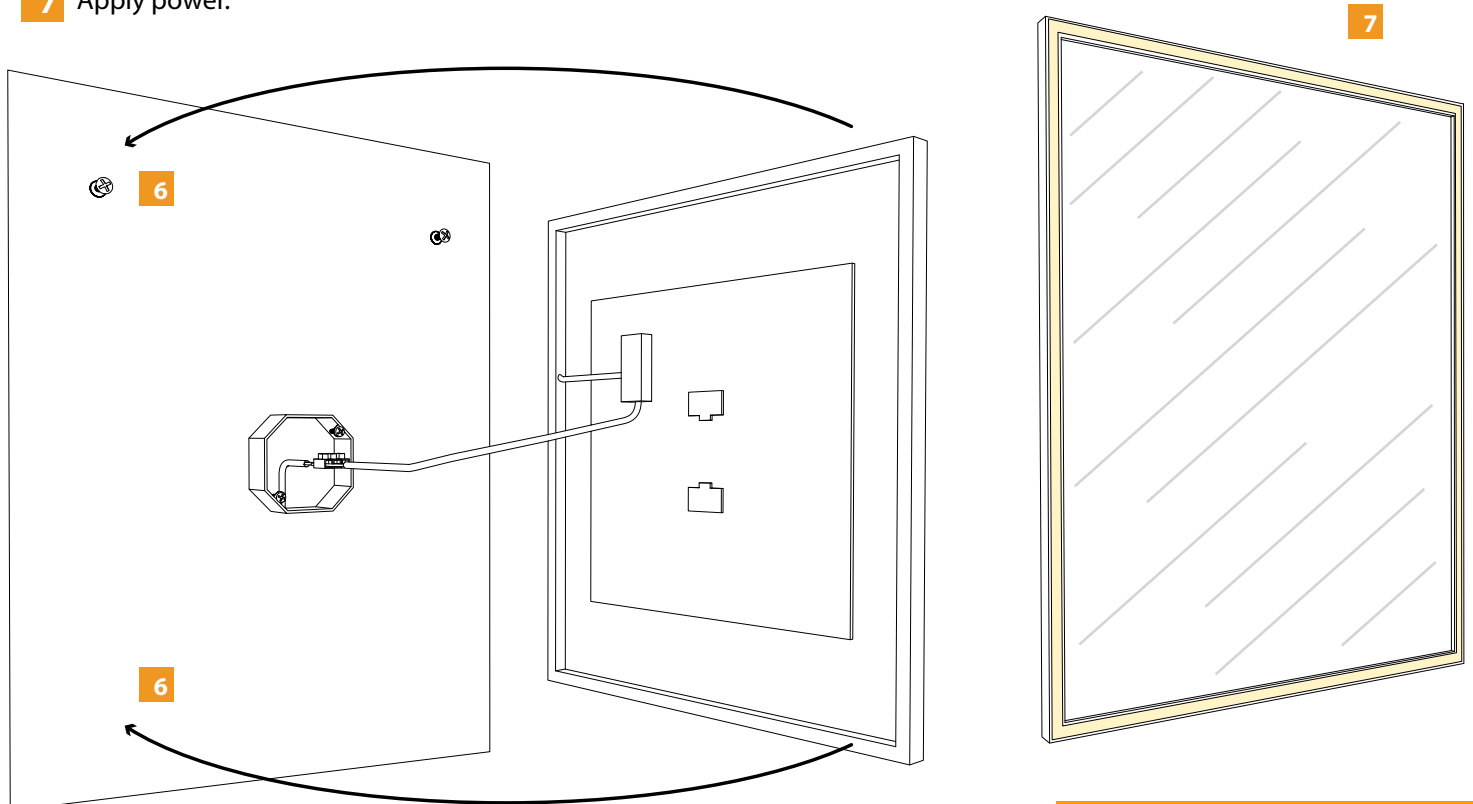
- 3 Leave a small segment of the screws outside the wall plugs.



- 4 Wire black, white and green wires from JBox to connector.
- 5 Wire black, white and green wires from mirror driver to connector.



- 6 Mount mirror body onto screws installed in the wall.
- 7 Apply power.



SAVE THIS INSTRUCTIONS