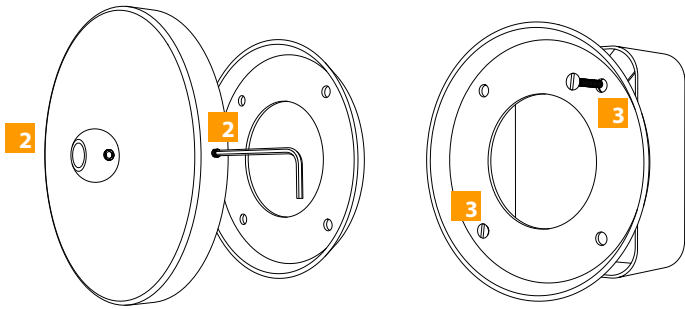
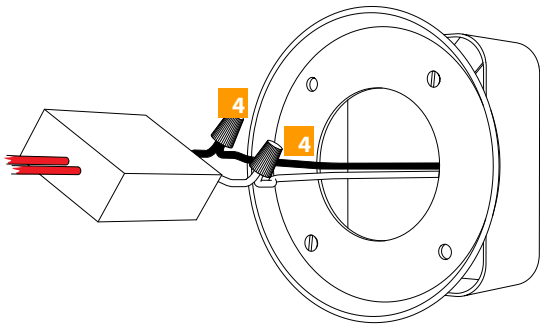


Installation Instructions for WS102 Droplets Wall

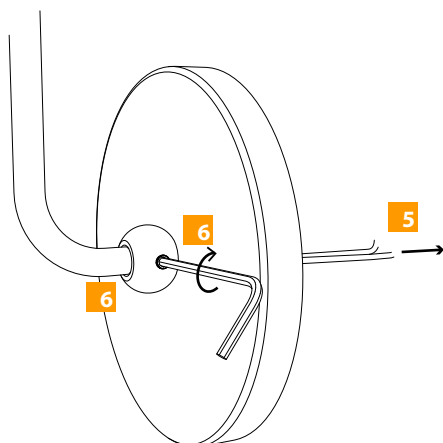
- 1 Turn off power.
- 2 Loosening set screws, remove backplate from backplate cover.
- 3 Install backplate onto junction box.



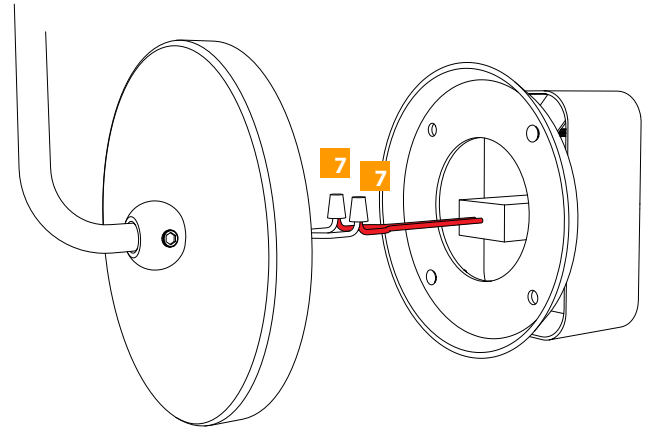
- 4 Using wire nuts provided, connect black and white wires of transformer to wires in j-box.



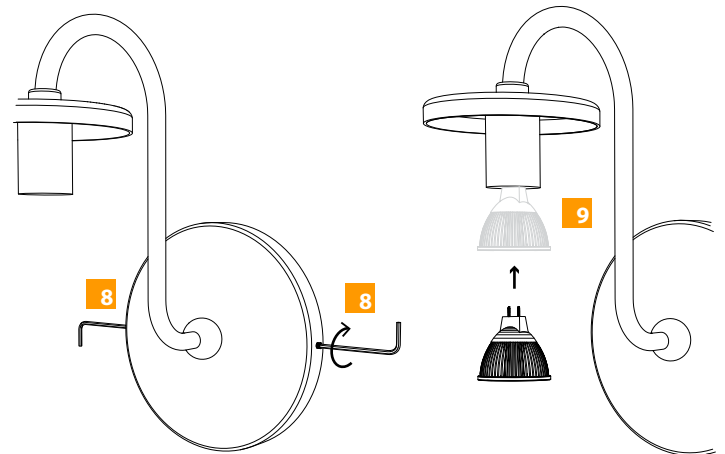
- 5 Feed fixture wires through backplate cover.
- 6 Install fixture onto backplate cover, secure with hex nuts.



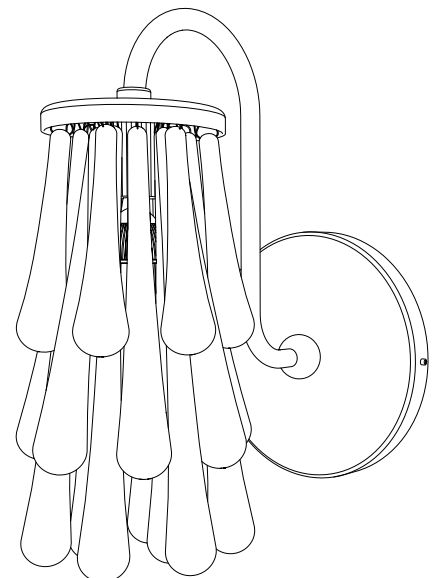
- 7 Connect red transformer wires to fixture wires, using wire nuts provided.



- 8 Install backplate cover on mounted backplate with hex nuts.



- 9 Install lamp.
- 10 Reapply power.



NOTE:
Glass drops are
sent installed

**SAVE THIS
INSTRUCTIONS**