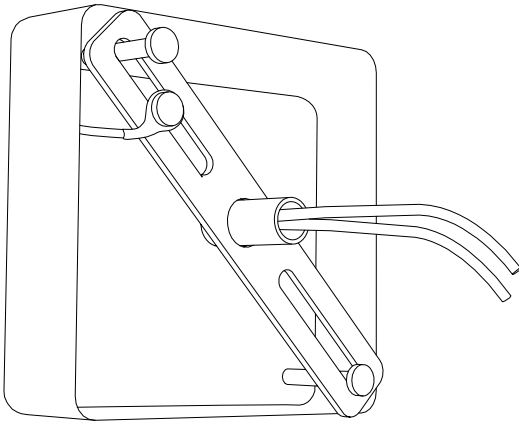
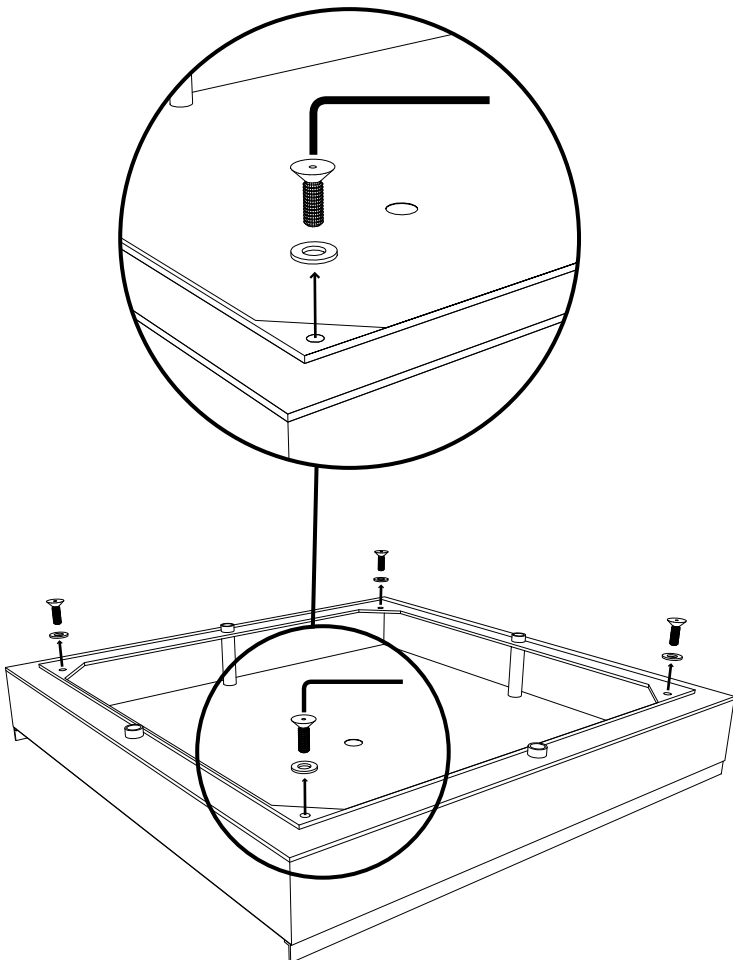


- 1 Install Crossbar and Nipple to the J Box. Leave approx 1" of the nipple out. Feed the line voltage cables from the wall through the nipple.

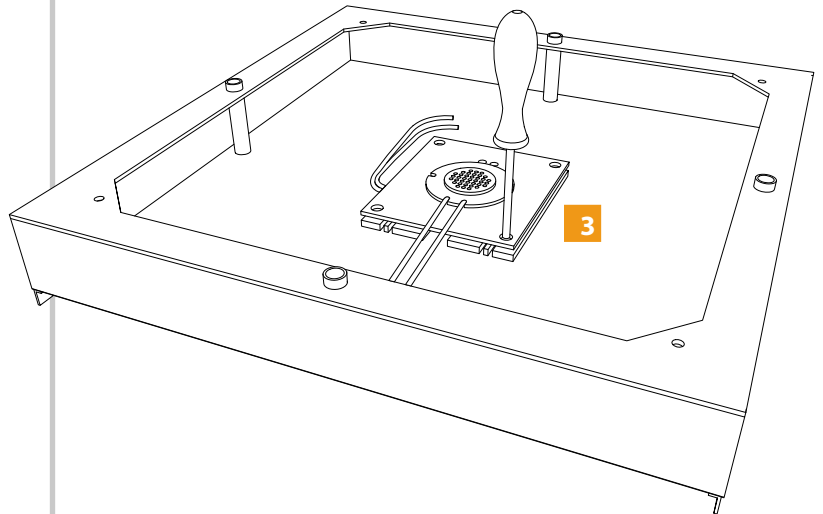


- 2 Remove the glass of the fixture.

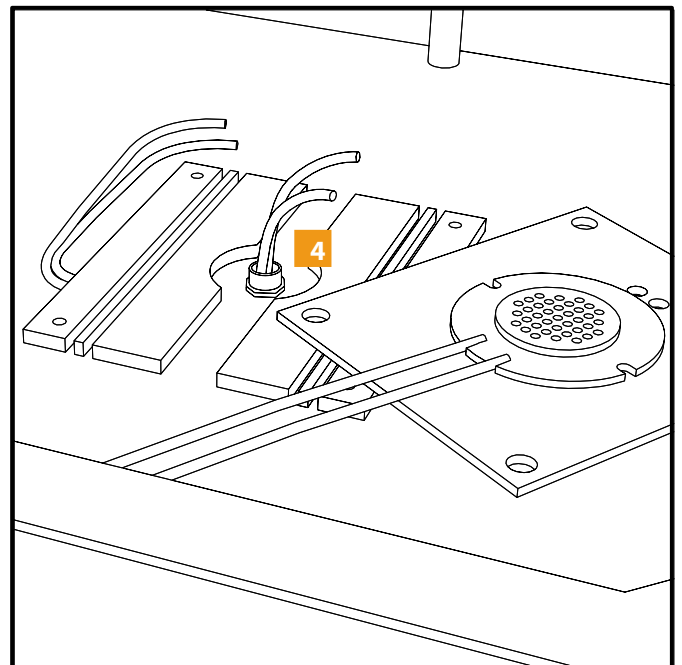


- 3 The LED Module is pre installed. It must be removed for installation to the wall.

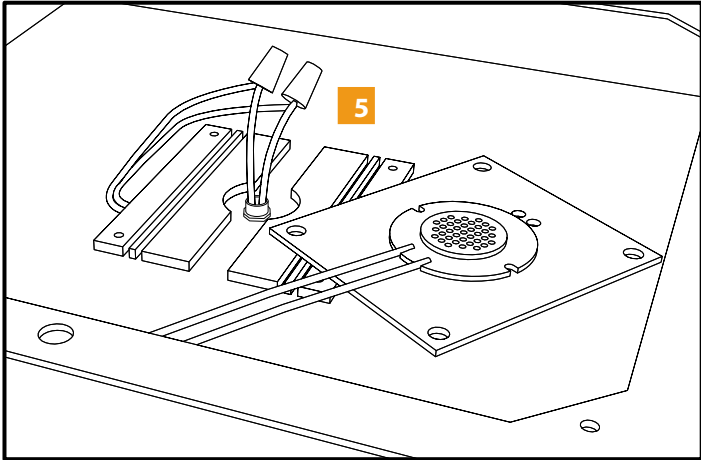
DO NOT TOUCH THIS CHIP OR THE LIFE OF THE FIXTURE WILL BE LOWERED CONSIDERABLY



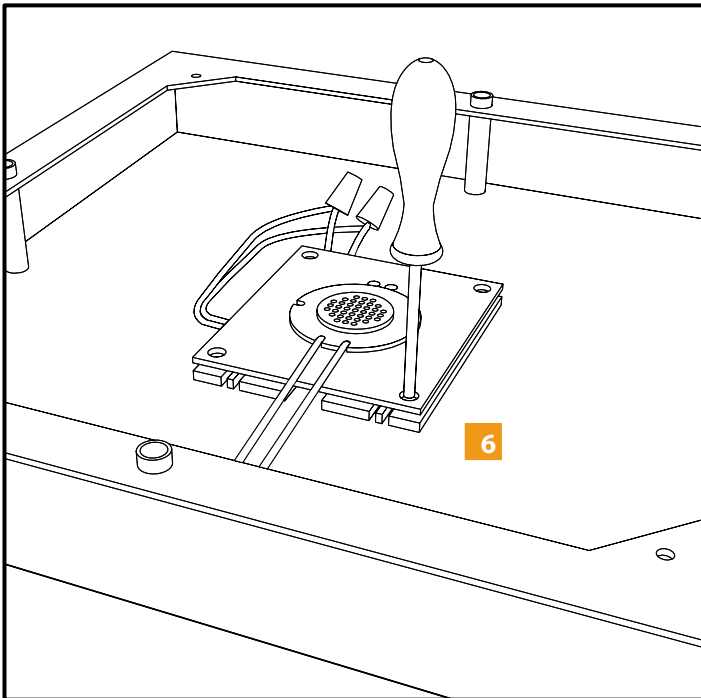
- 4 Install fixture over the brass nipple previously mounted on the wall. Secure using the supplied lock washer and nut.



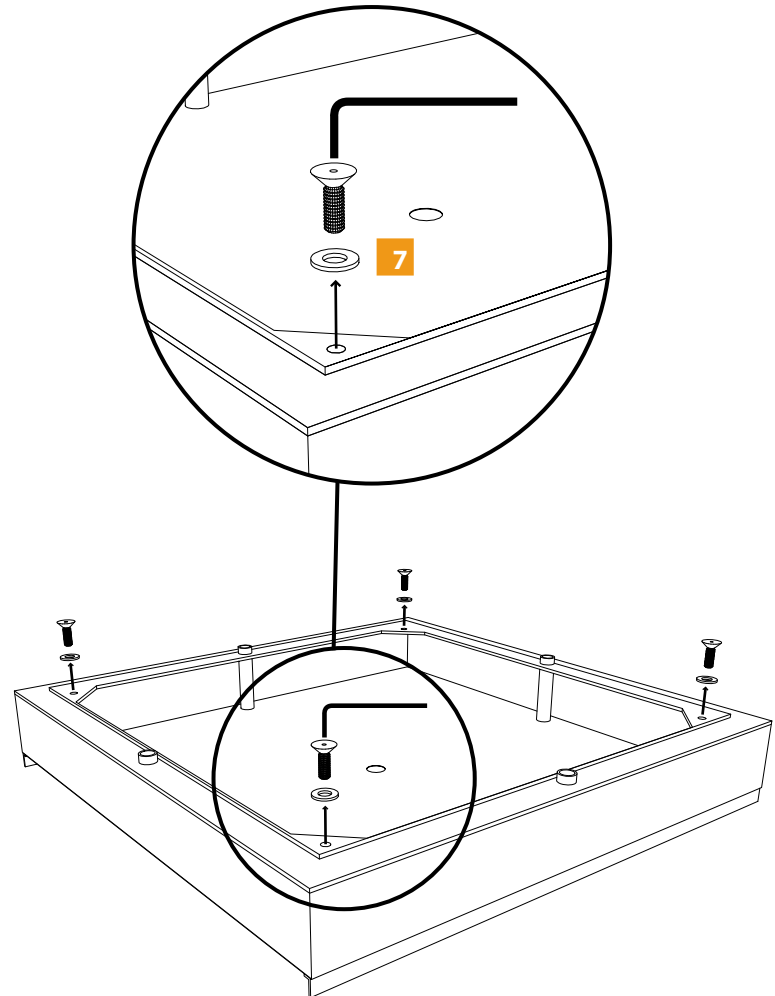
- 5** Connect the line voltage wires to the input wires in the driver. Use supplied wire nuts for connection.



- 6** Screw the lid with LED Module from step 3. Ensure the ground wire is screws into the lid.

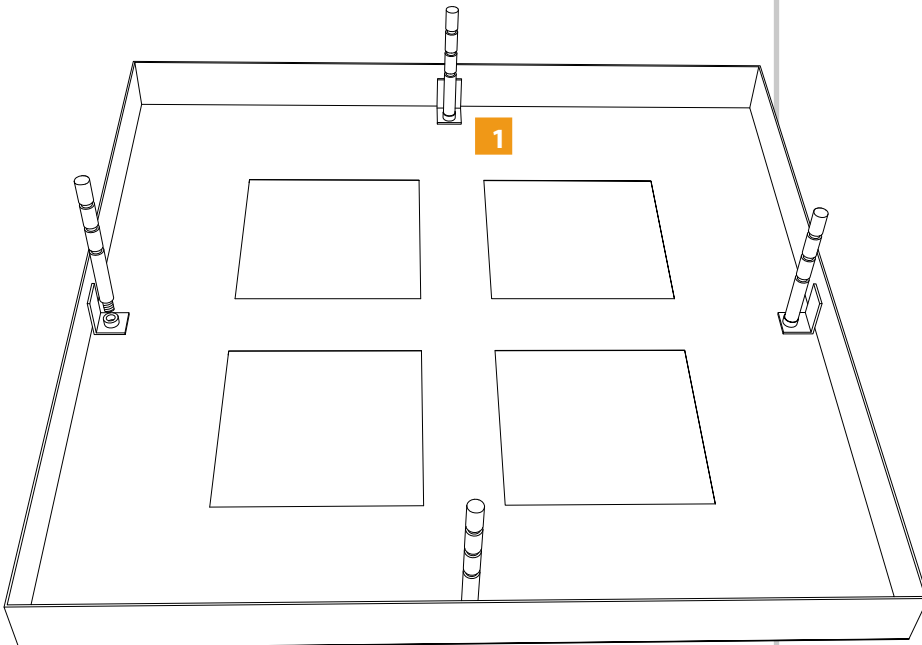
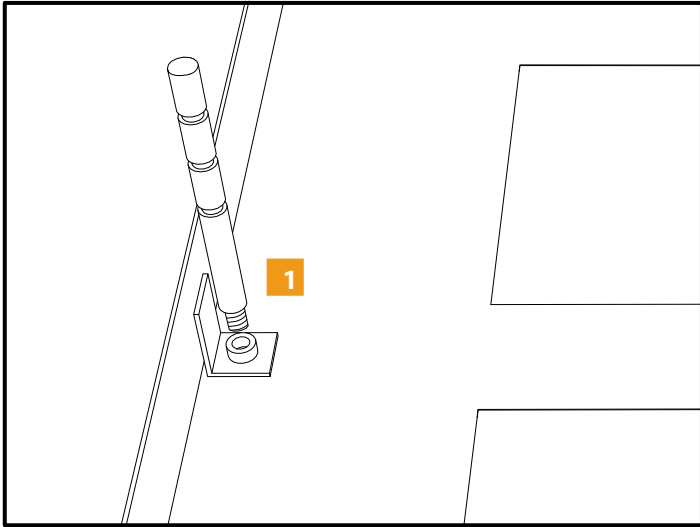


- 7** Install the glass from step 2

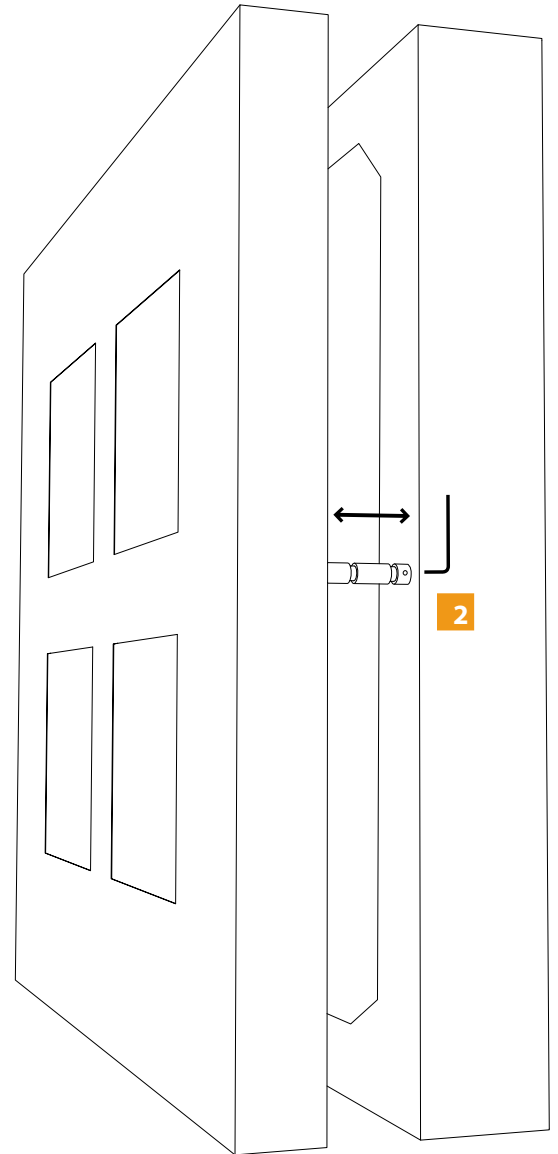


## DECORATIVE FACE INSTALLATION

- 1 Screw in the supplied pegs



- 2 Align the pegs with the fixture for mounting. The pegs have slots for wall wash effect. Adjust as desired and secure using the set screws.



SAVE THESE INSTRUCTIONS