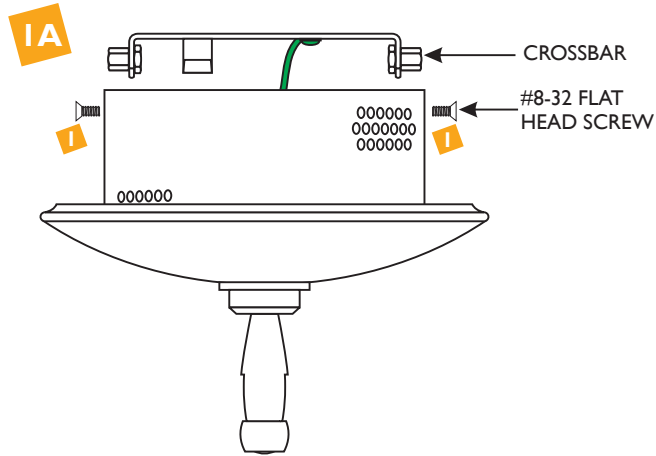
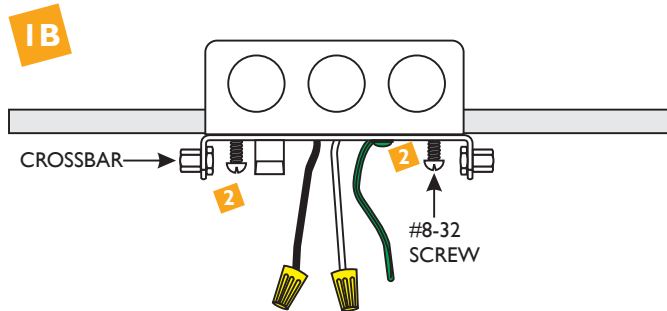


# Surface Mount Transformer Installation Instructions

## PWMSMT300

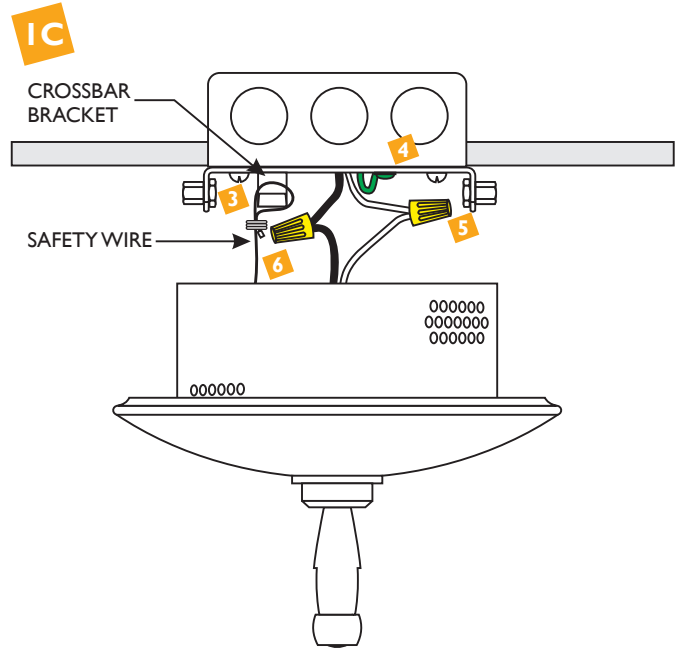


- 1** Remove the two #8-32 flat head screws to remove the crossbar.

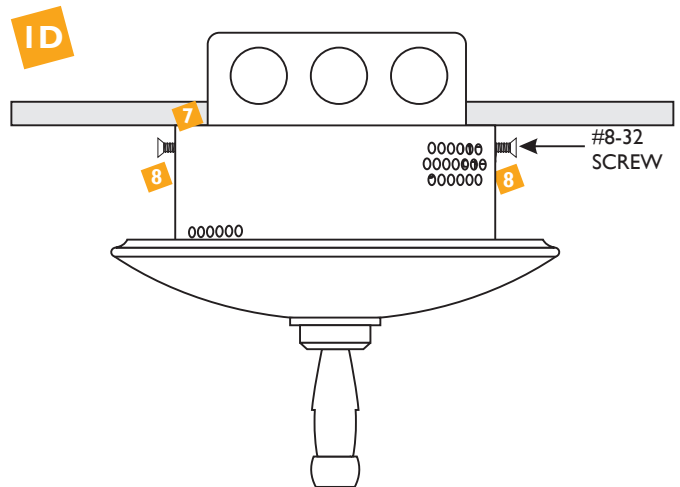


**CAUTION: Turn the power to electrical box off!**

- 2** Mount the crossbar to the electrical box with the provided two #8-32 screws.

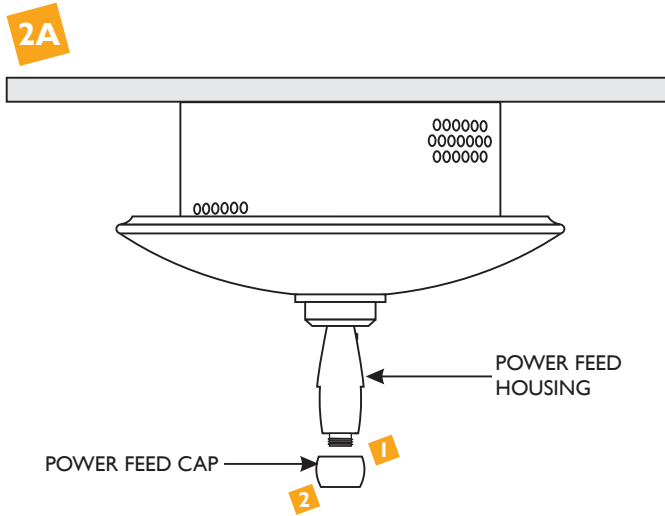


- 3** Hook the transformer safety wire onto the crossbar bracket.
- 4** Connect the crossbar green wire to the ground in accordance with local electrical codes.
- 5** Connect the transformer white wire to the neutral power line wire with a wire nut.
- 6** Connect the transformer black wire to the hot power line wire with a wire nut.



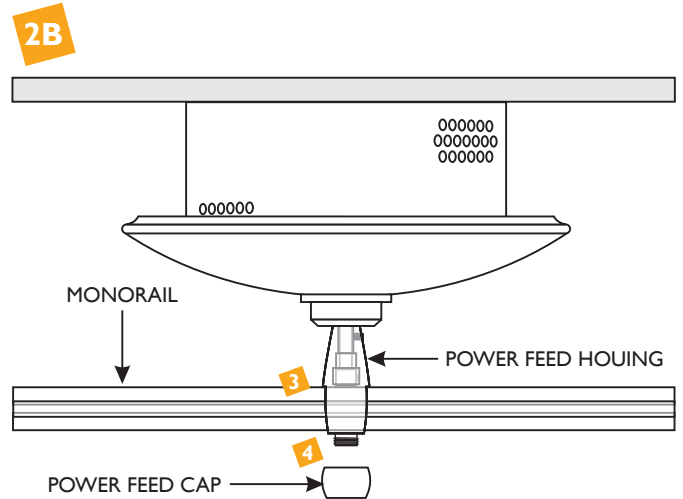
- 7** Slide the transformer onto the crossbar.
- 8** Align the transformer holes with the crossbar holes; replace and tighten the two #8-32 flat head screws.

### Connect the Monorail to Transformer



**NOTE:** The standoffs should be installed to support the Monorail while connecting Monorail to the surface mount transformer. Refer to the instruction provided with the standoffs.

- 1 Remove the power feed cap from the power feed housing.
- 2 Completely back out the screw on the power feed cap.



- 3 Place a Monorail section into the standoffs and power feed housings.
- 4 Screw the power feed cap completely to the power feed housing. **Make sure that the power feed cap is not cross threaded.**