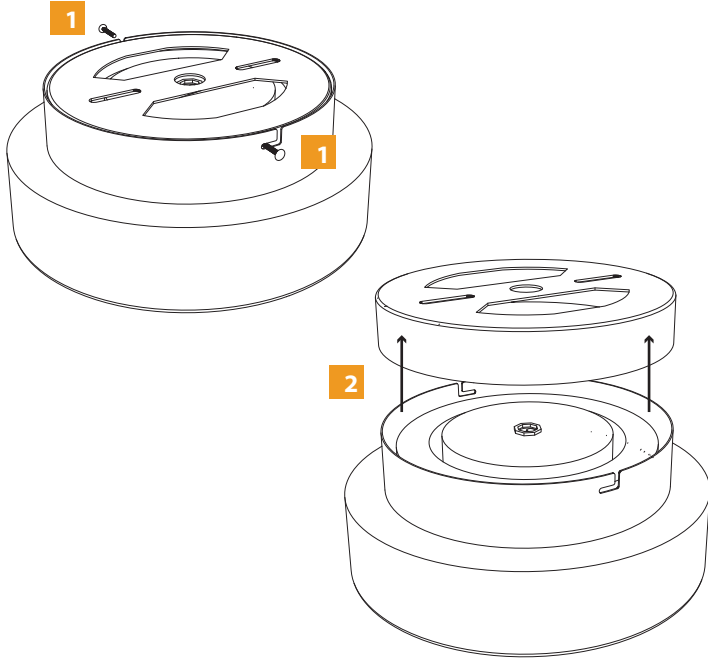


Installation instructions for: PWECBL300ASN, PWECBL300ABZ Canopy

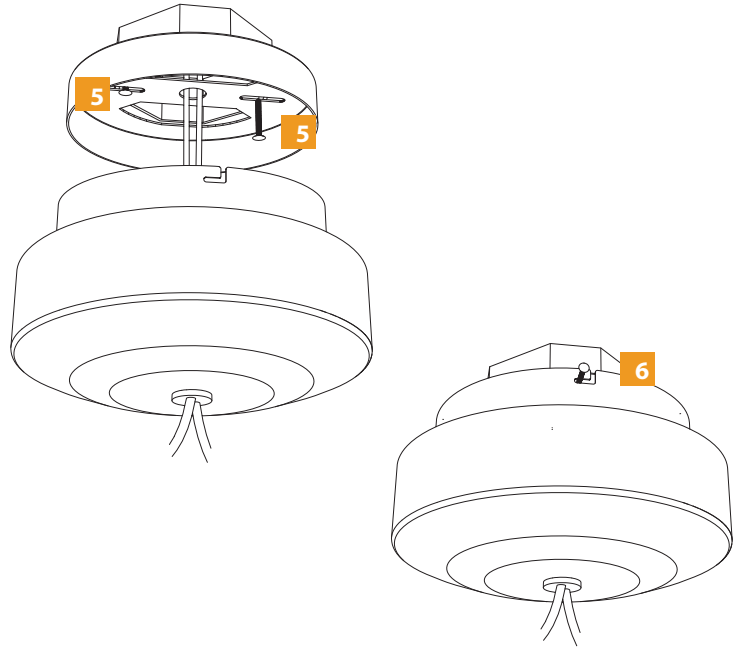
1 Unpack canopy untighten screws.

2 Remove backplate.



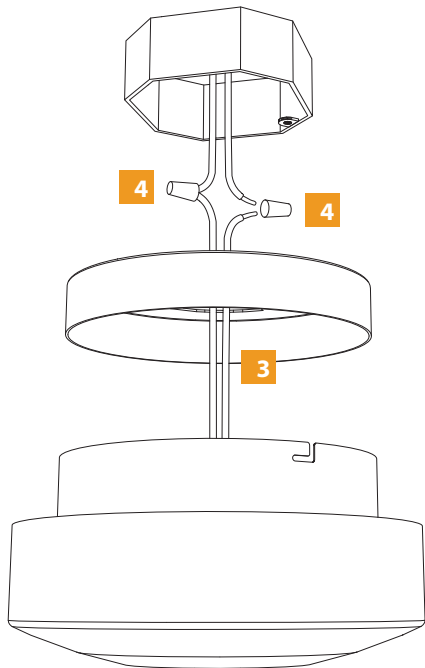
5 Mount the backplate to JBox with screws.

6 Reinstall canopy onto the backplate.



3 Feed fixture wires through canopy backplate for wiring.

4 Wire fixture cables to line cables.



7 Hook power feeds to cables.

8 Turn Power On.

