

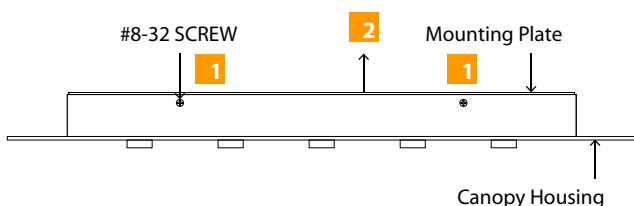
3,5,7, 13 & 25 Line Voltage Multi Light Canopies

This product is suitable for indoor dry locations only.
This product can be dimmed with a standard incandescent dimmer.

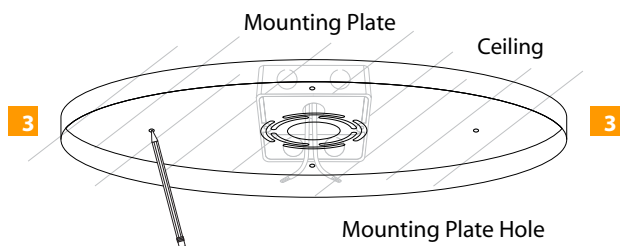
This instruction is for the following models:



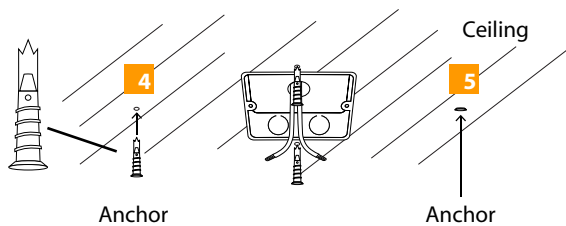
- 3 Light Canopy - (CPLVRN3)
- 5 Light Canopy - (CPLVRN5)
- 7 Light Canopy - (CPLVRN7)
- 13 Light Canopy - (CPLVRN13)
- 25 Light Canopy - (CPLVSQ25)



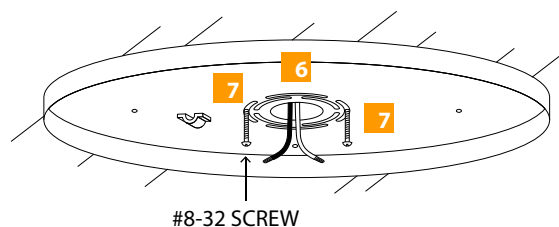
- 1** Remove the #8-32 screws on the sides of the canopy housing.
- 2** Lift the mounting plate from the canopy housing.



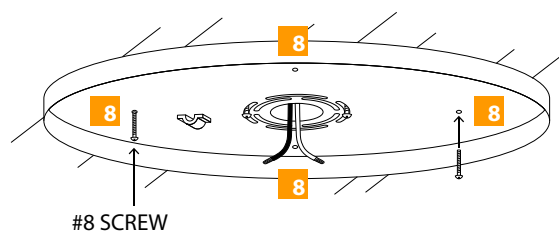
- 3** Align the mounting plate holes with the electrical box holes and mark four points onto the ceiling through the mounting holes.



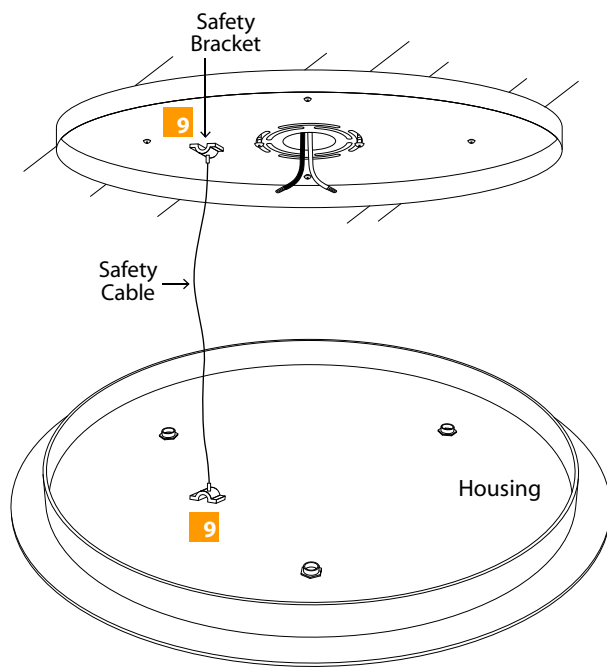
- 4** With a hammer tap the anchors at the marked points into the ceiling up to the threaded portion.
- 5** Screw the anchors in the rest of the way with a Phillips screwdriver.



- 6** Feed the power line wires through the mounting plate center hole.
- 7** Line up the two mounting plate slots with the electrical box holes and use the two provided #8-32 screws to mount it to the electrical box.



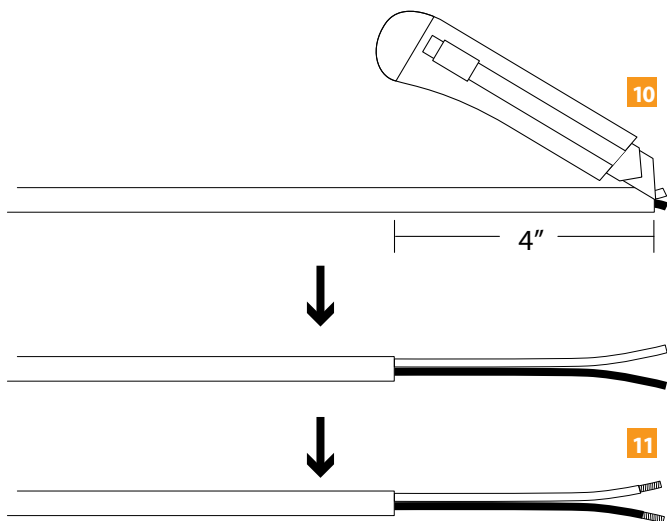
- 8** Secure the mounting plate to the anchors with the 4 provided #8 screws.



- 9** Insert one end of the safety cable into the mounting plate safety bracket and insert the other end into the housing safety bracket.

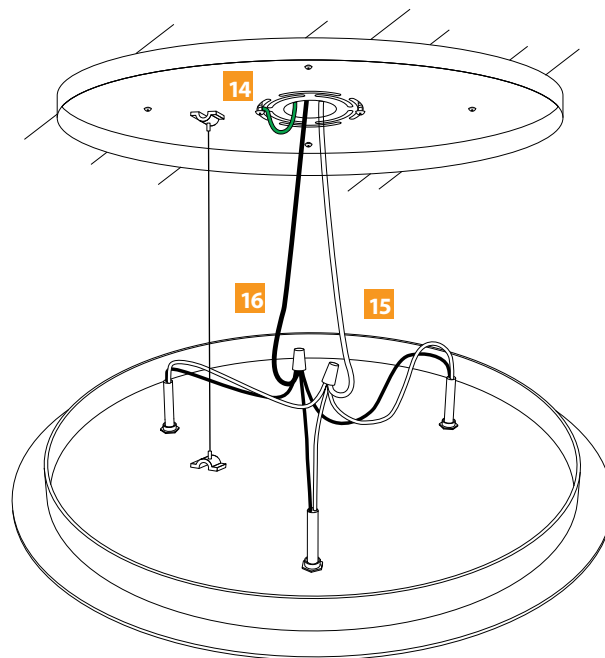
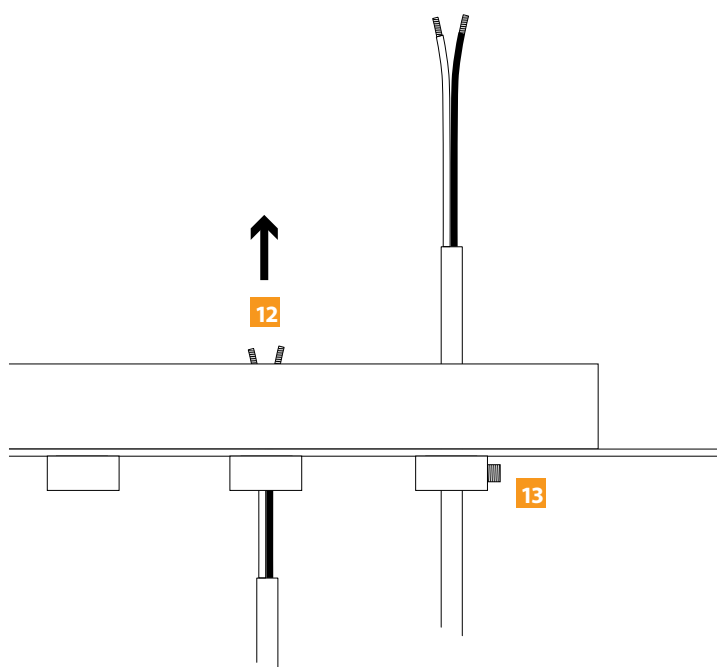
10 From the end of the cord, strip the outer insulation 4" using a sharp knife. **MAKE SURE NOT TO CUT INNER WIRES.**

11 Strip 1/4" of insulation from the inner insulated wires.



12 Feeding the cable through the port in canopy.

13 tighten the strain relief screw on the side of the port once the wire is fed to the proper length.

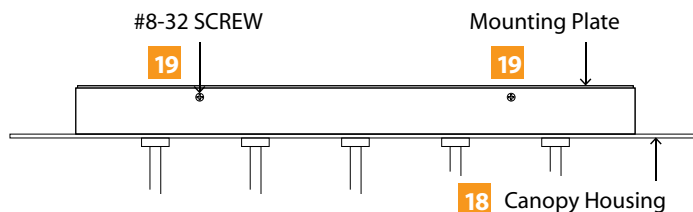


14 Make sure the mounting plate is grounded in accordance with local electrical codes.

15 Connect the housing white wire to the neutral power line wire with a wire nut.

16 Connect the housing black wire to the hot power line wire with a wire nut.

17 Place all wires and wire nut connections properly inside the housing.



18 Slide the housing onto the mounting plate and line up the housing holes with the mounting plate holes.

19 Replace and tighten the #8-32 screws to secure the housing in place.

19 Turn the power on.