

Gabe Series Square

Minimalist edge lit LED ceiling luminaires. Minimal projection and a high quality mini-textured frame. High quality optical diffuser (see specs below). The entire series is highlighted by a universal mounting system in which the body mounts to virtually any and all electrical boxes. Once body is mounted the face simply snaps into place. Simple, fast and easy mounting. Impressively bright and fully dimmable design.

Dimmable with Triac or ELV dimmer.



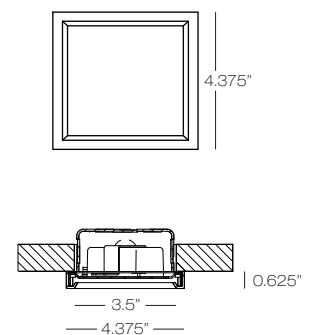
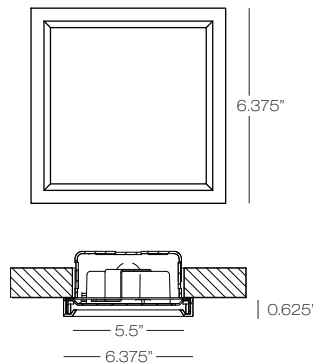
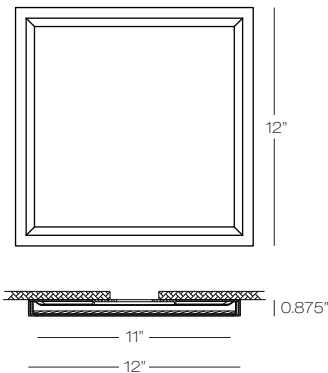
Model	12"		
CL486			
OP opal			LED LED 22W, 90 CRI , 3000K 1400 Lumens, Dimmable
Acrylic	Finish	Lamp	
OP	WH	LED	
WH white			



Model	6"		
CL483			
OP opal			LED LED 15W, 90 CRI , 3000K 850 Lumens, Dimmable
Acrylic	Finish	Lamp	
OP	WH	LED	
WH white			



Model	4"		
CL481			
OP opal			LED LED 10W, 90 CRI , 3000K 550 Lumens, Dimmable
Acrylic	Finish	Lamp	
OP	WH	LED	
WH white			



Features

- Glare controlling lens for comfortable light pattern
- 5/8" thick luminaire for durability
- Thinnest available solution featuring an integral driver
- Utilizes high quality Edge-Lit technology providing even illumination
- 5 years / 50,000 hours LED life
- Wet location listed
- An affordable alternative to Air-Seal IC recessed housings or Fire-Rated Boxes
- Energy Star

Electrical

- Input Voltage: 120V
- Input Frequency: 50/60 Hz
- Power Factor: >0.9
- Max. THD: <15%
- Minimum Operating Temperature: -20° C
- Dimmable with Triac dimmer (10%-100% dimming range)
- Available in 90 CRI, consult customer service
- Powered by an integrated DOB (Driver On Board)
- Photometrics available upon request

