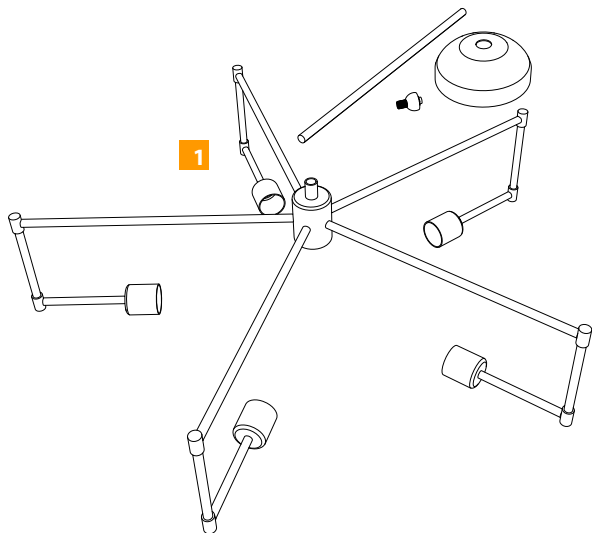
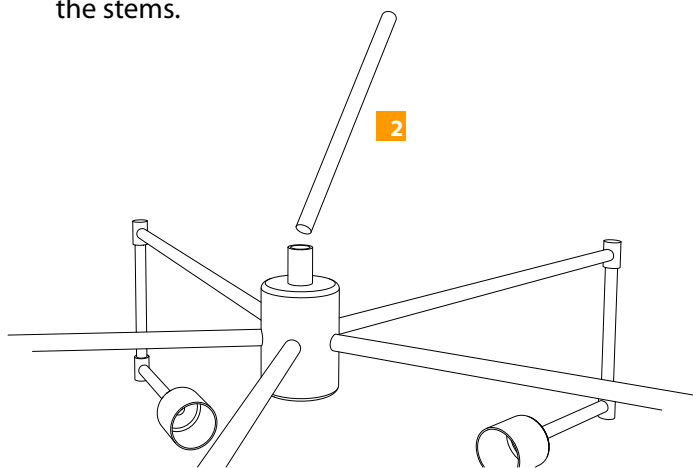


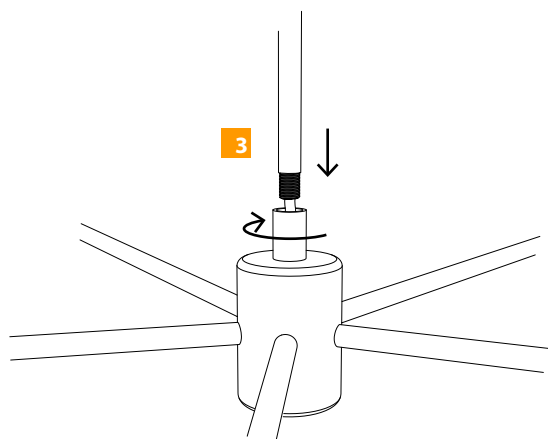
1 Unpack Boomer, stem, and parts and lay out.



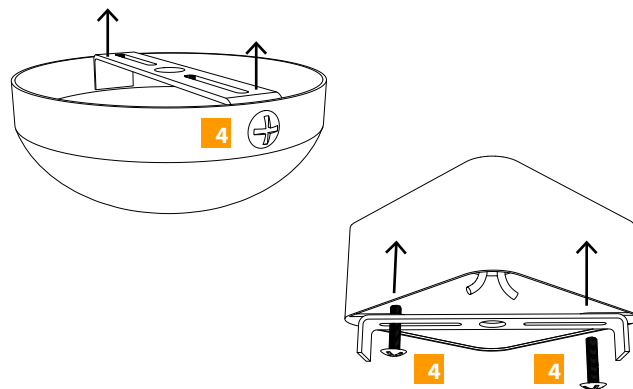
2 Figure out the length the fixture is wanted at with the stems.



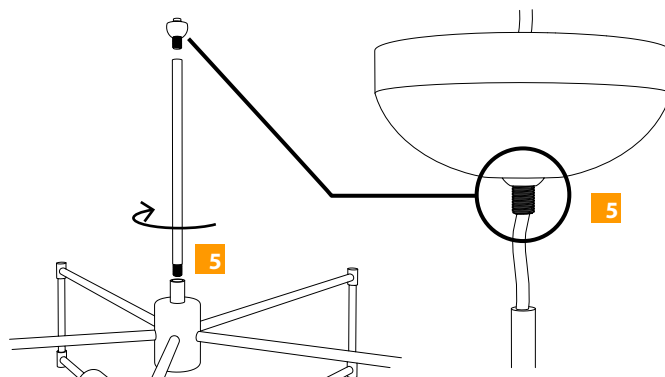
3 Slide the selected stems on the SVT/Clear wire cord down to the base of the fixture. The stems will screw into the base of the fixture and to each other to hide the threaded nipple.



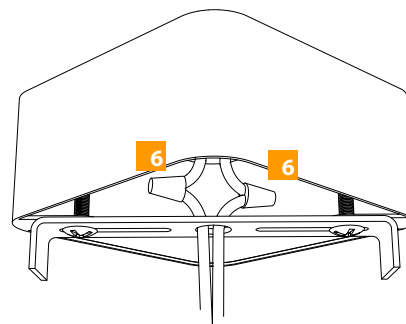
4 Take the canopy and remove the crossbar. Install the crossbar and save the screws with the canopy.



5 Once the stems are applied and screwed in take the canopy and ball joint and put them on the SVT/Clear wire cord. Canopy first followed by the ball joint. Slide down to the top of the stems, screw in the ball joint. Be careful with the canopy as the stems will be easy to scratch before this is mounted, the canopy floats until mounted.



6 Wire into the junction box.

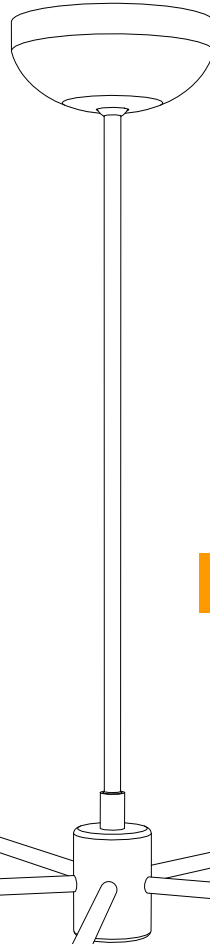
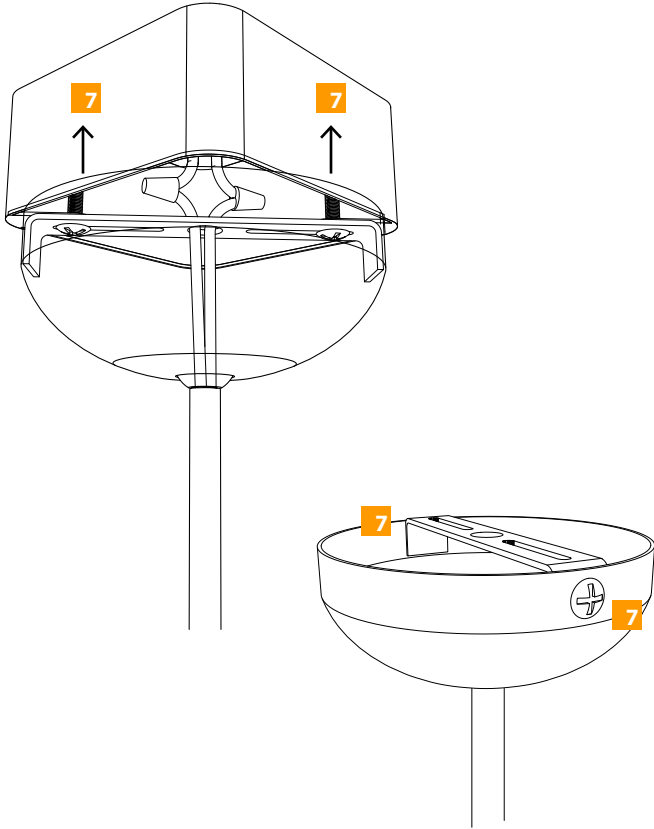


Boomer Installation Instructions

7 Slide the canopy up to the mounting crossbar and reapply the screws that hold the fixture.

8 Install the lamps.

9 Power



SAVE THIS INSTRUCTIONS

