

# INSTALLATION INSTRUCTIONS FOR ZEN WALL - COMPACT FLUORESCENT

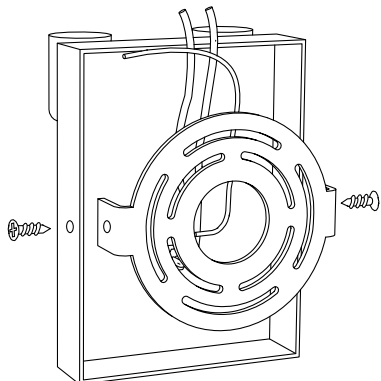
## GENERAL PRODUCT INFORMATION:

This product is suitable for damp locations.

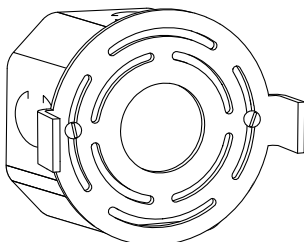
This product can mount to either a standard 4/0 electrical box with round plaster ring or an octagon electrical box.



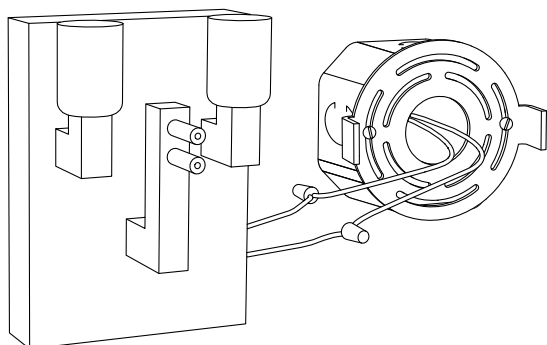
- 1** **1A)** Use Phillips head screw driver.  
**1B)** Remove mounting bracket.



- 2** Attach the mounting bracket to the standard 4/0 electrical box using the two #8-32 screws provided. Make sure bracket is in level horizontal position.



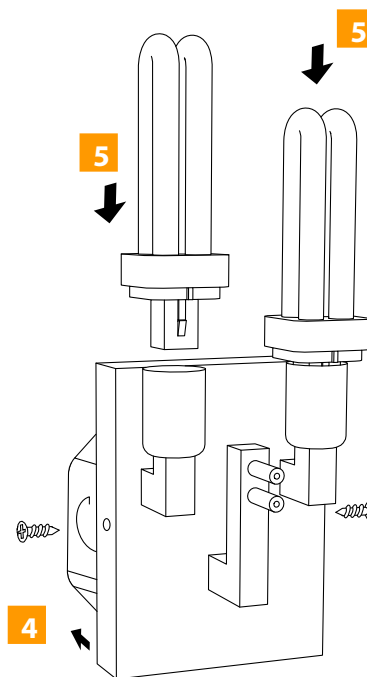
**3**



- 3A)** Connect the mounting plate ground wire to a suitable ground according to local electrical codes.
- 3B)** Connect the white ground wire to the neutral power line wire with a wire nut.
- 3C)** Connect the black ground wire to the hot power line wire with a wire nut.

- 4** Mount wall body to bracket.

- 5** Install (2) - 13watt compact fluorescent G24Q1 base lamps.



- 6** Attach Shade.

