

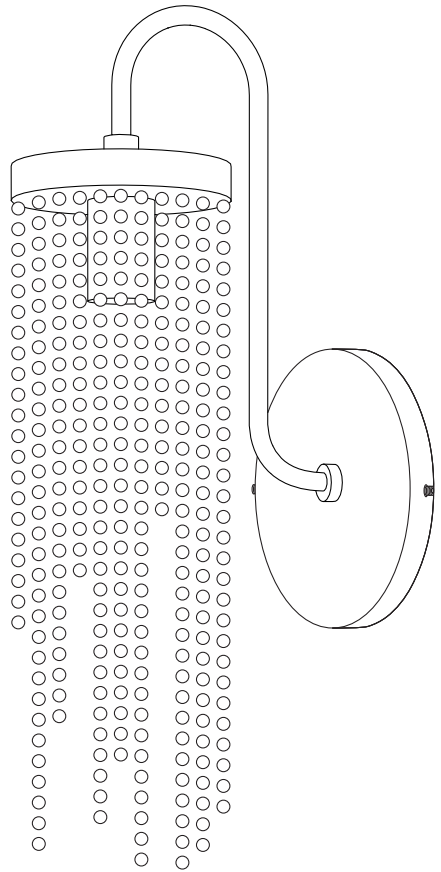


## GENERAL PRODUCT INFORMATION:

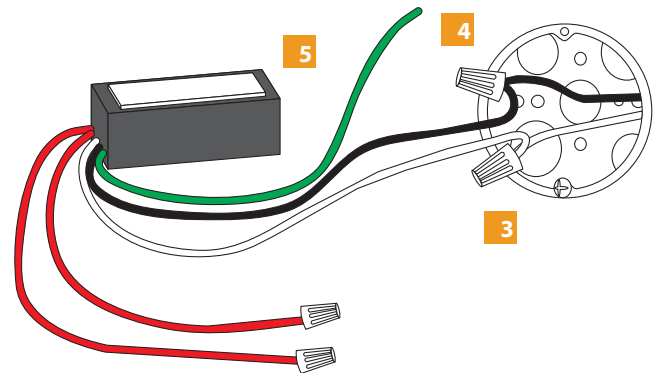
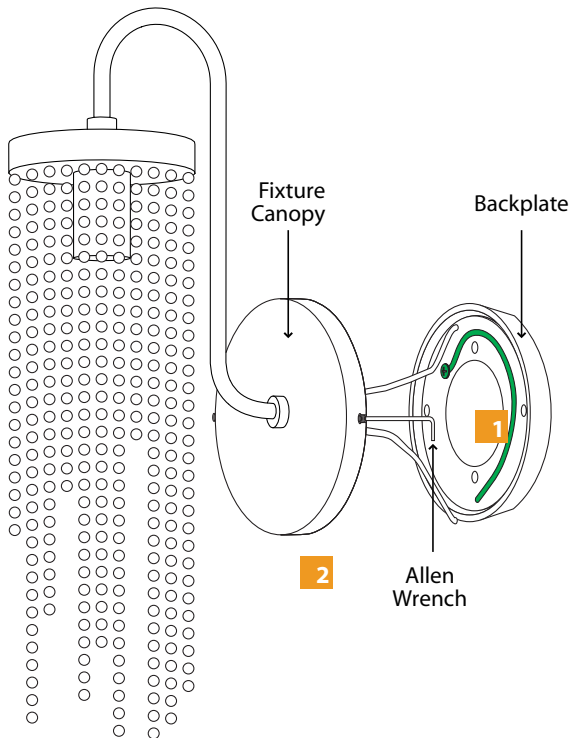
This product can mount to either a 4" square electrical box with round plaster ring or an octagon electrical box.  
This product is suitable for indoor dry locations only.  
This product can be dimmed with a standard incandescent dimmer.

### CAUTION - RISK OF FIRE

This product requires installation by a qualified electrician.  
Before installing be sure to read all instructions and **TURN THE POWER TO THE ELECTRICAL BOX OFF.**

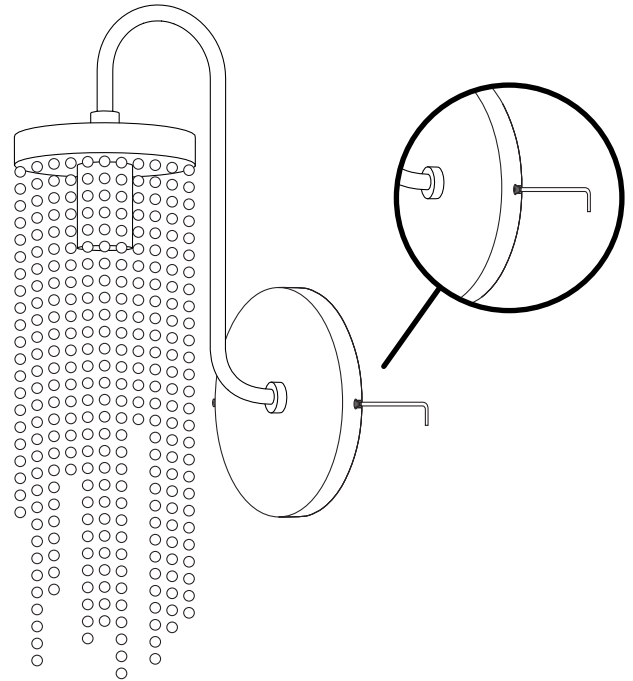
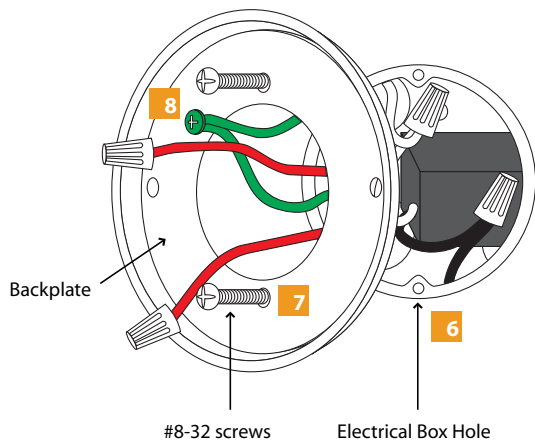


## INSTALL THE FIXTURE



- 1 Loosen (Do Not Remove) the two M3 set screws on side of the canopy with the 1.5mm Allen wrench provided.
- 2 Remove the backplate.

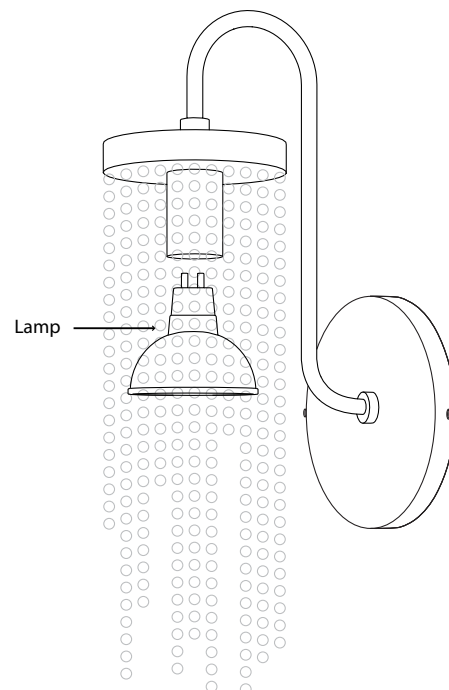
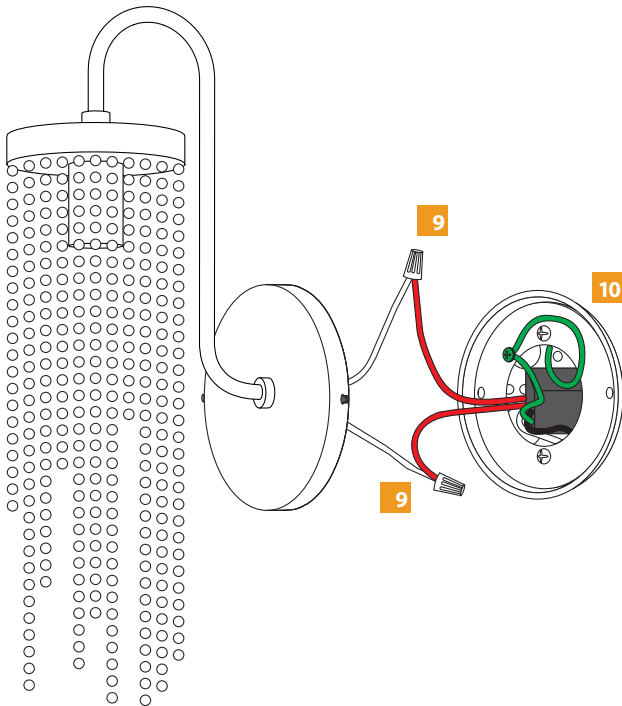
- 3 Connect the transformer white wire to the neutral power line wire with a wire nut.
- 4 Connect the transformer black wire to the hot power line wire with a wire nut.
- 5 Place the transformer inside the electrical box. Use the attached sticky pad to secure it against the electrical box.



- 6** Line up two backplate holes with the electrical box holes.
- 7** Mount the backplate to the electrical box with the two #8-32 screws provided.
- 8** In accordance with local electrical codes, make sure that the backplate and the transformer green wire are grounded.

- 11** Place the fixture canopy onto the backplate. Level the fixture vertically and tighten the two M3 set screws with the 1.5mm allen wrench to secure the fixture in place.

**INSTALL THE LAMP**



- 9** Connect each transformer low voltage wire (red wire) to one fixture wire with a wire nut.
- 10** Place all wires and wire nut connections inside the electrical box.

- 12** Align and push the lamp pins completely into the socket holes.