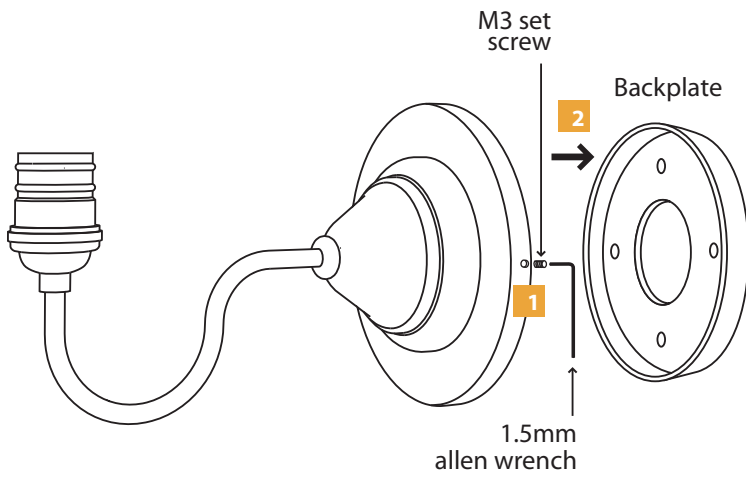
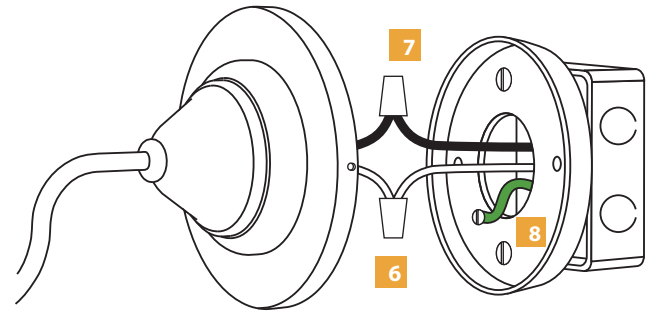


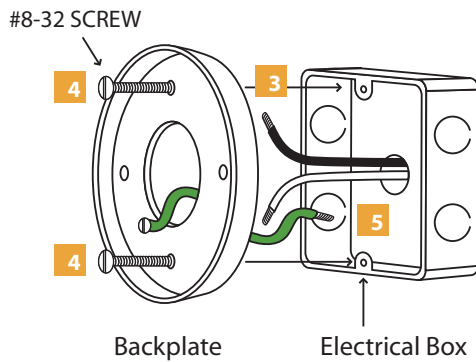
INSTALL FIXTURE



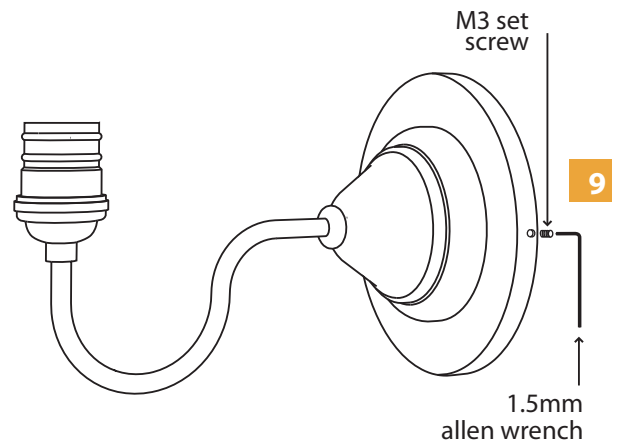
- 1 Loosen (do not remove) the two M3 set screws on side of the canopy with the 1.5mm allen wrench.
- 2 Remove the backplate.



- 6 Connect the white fixture wire to the neutral power line wire with a wire nut.
- 7 Connect the black fixture wire to the hot power line wire with a wire nut.
- 8 Place all wires and wire nut connections inside the electrical box.



- 3 Line up two backplate holes with the electrical box holes.
- 4 Mount the backplate to the electrical box with the two #8-32 screws provided.
- 5 Connect the green wire to a suitable ground in accordance with local electrical codes.



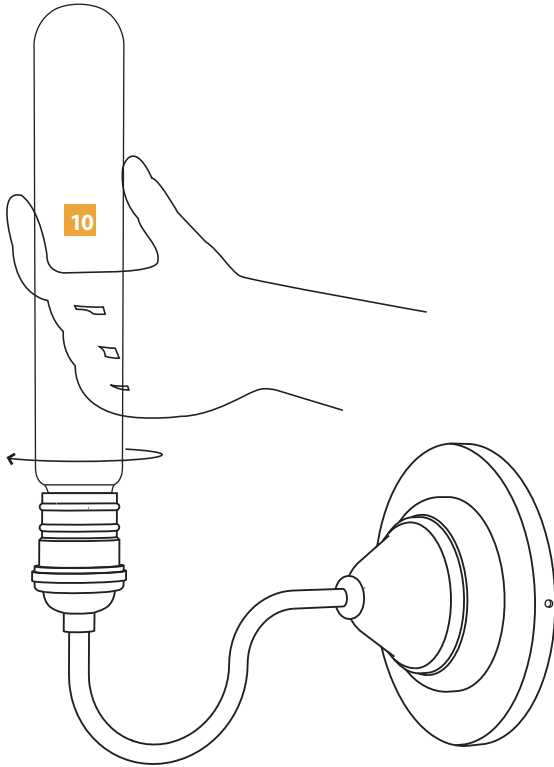
- 9 Place the fixture canopy onto the backplate. Level the fixture vertically and tighten the two M3 set screws with the 1.5mm allen wrench to secure the fixture in place.

SAVE THESE INSTRUCTIONS

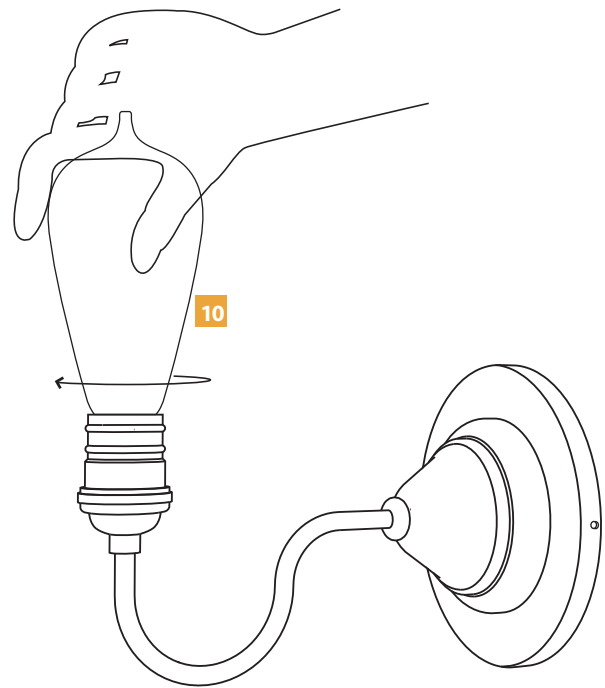


INSTALL THE LAMP

10 Install bulb WS157A



10 Install bulb WS157B



SAVE THESE INSTRUCTIONS