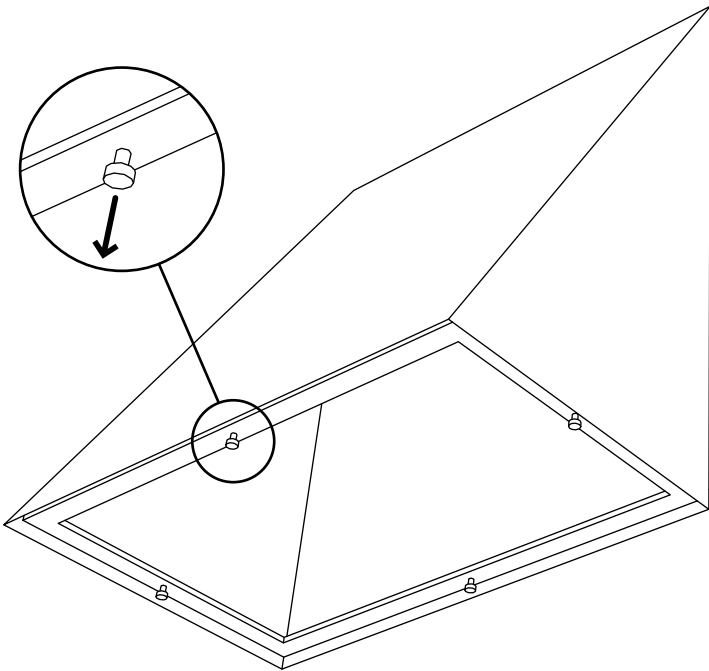
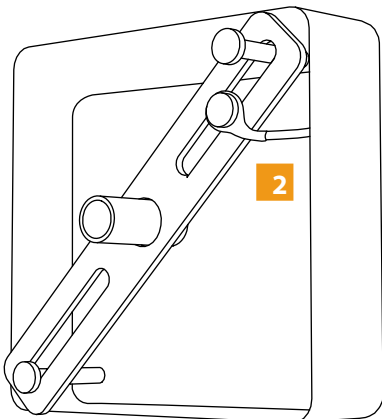


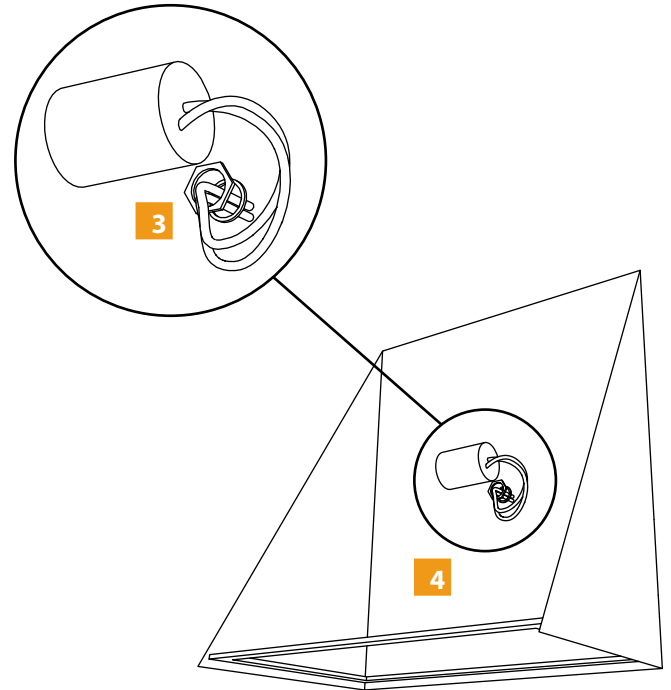
- 1 After unpacking your wall sconce, remove the four thumbscrews that hold diffuser in place.



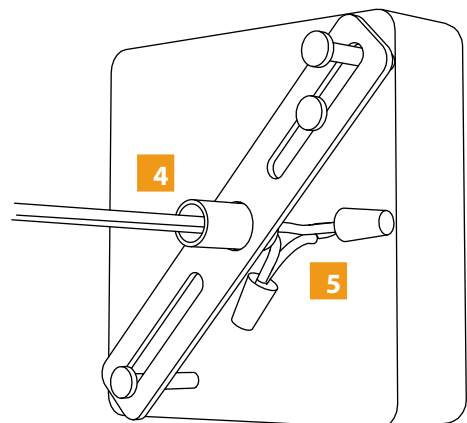
- 2 Mount crossbar and nipple to electrical box with provided hardware. Make ground wire connection.



- 3 Feed wires inside fixture through lock washer and hex nut.

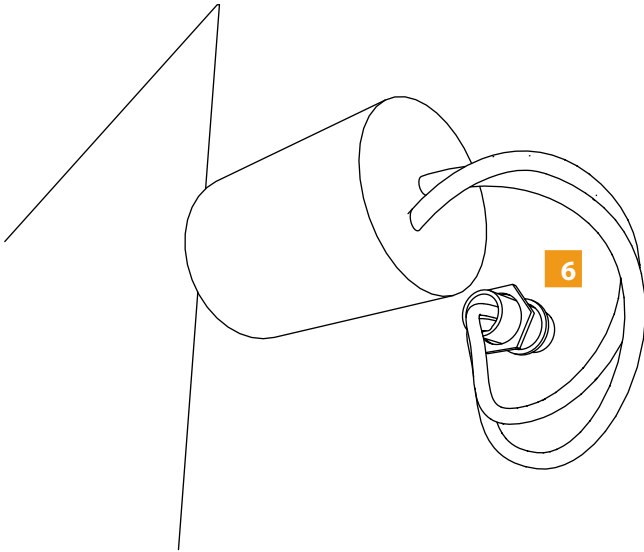


- 4 Now feed wires through mounting hole through back of fixture and thru nipple that is mounted to electrical box.

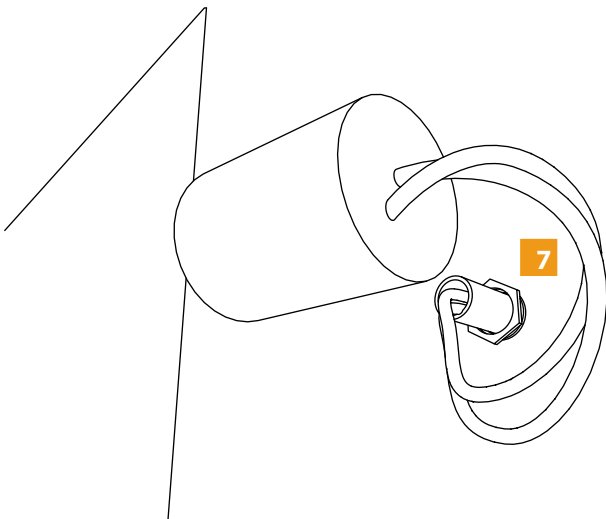


- 5 Make connection inside of electrical box to power wires with provided wirenuts.

- 6** Place fixture over the nipple and slip lock washer over nipple and mount fixture with hex nut last.

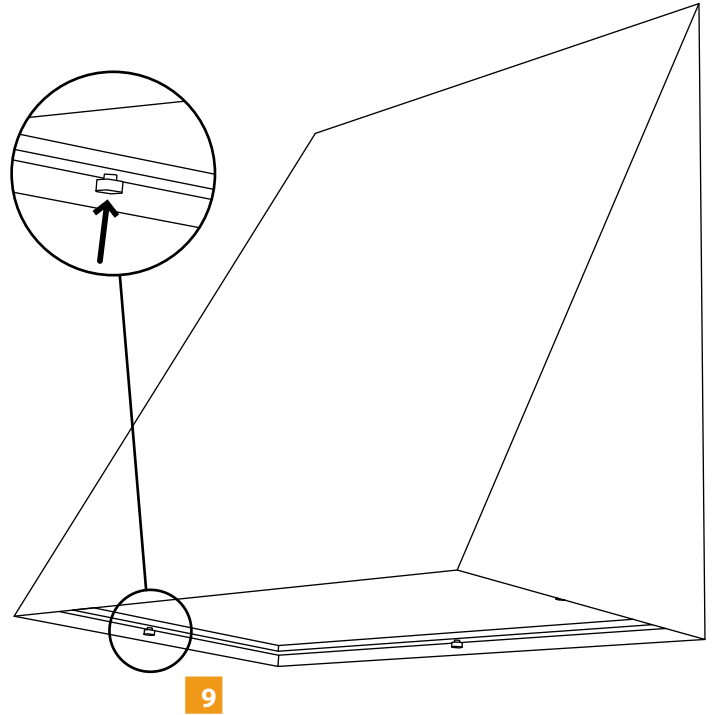


- 7** Push any excess wires through the nipple and make sure nipple is only sticking through into fixture body only as much as it needs to be to mount with hex nut.



- 8** Screw in lamp.

- 9** Replace diffuser and now replace thumb screws that were removed in step 1.



SAVE THESE INSTRUCTIONS