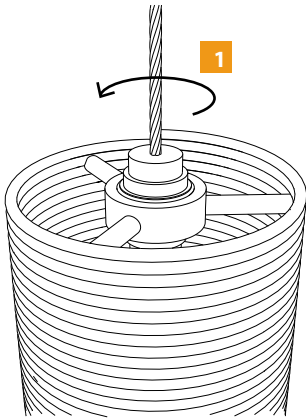
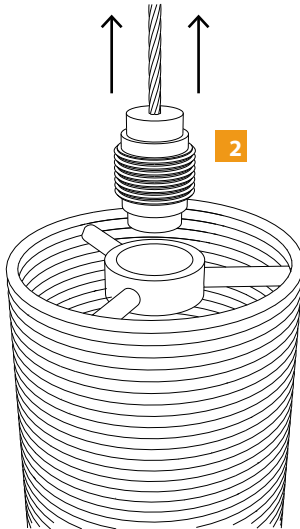


# Installation instructions for PD533 Coil Long Pendant and PD537 Coil Short Pendant

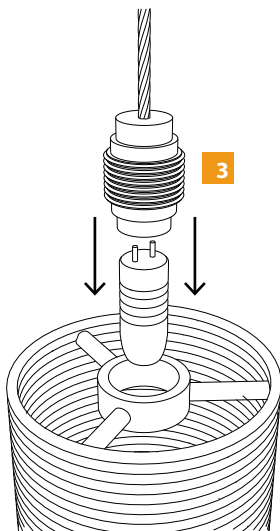
- 1** Unscrew fitter assembly from metal shade.



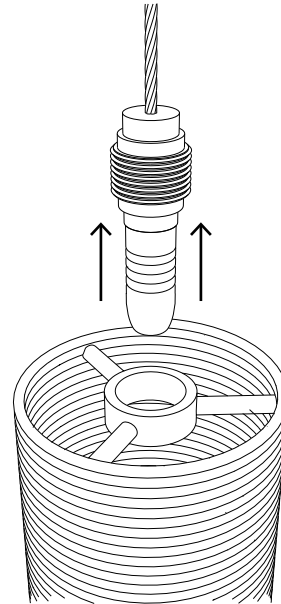
- 2** Lift to expose lamp.



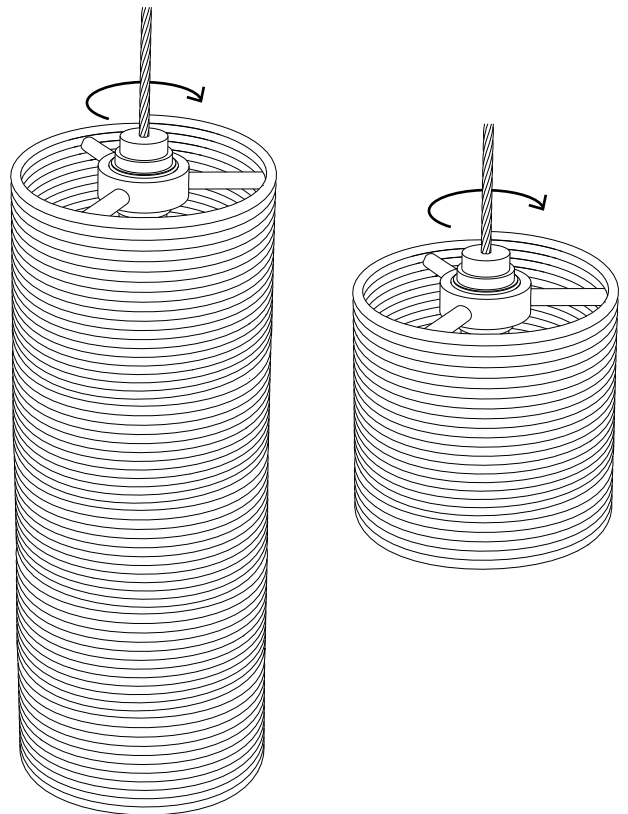
- 3** Pull on the lamp to remove the lamp from the socket.



- 4** Line up the posts on the replacement lamp with the oval holes on the socket, and gently push the lamp into place.



- 5** Screw fitter assembly into metal shade.

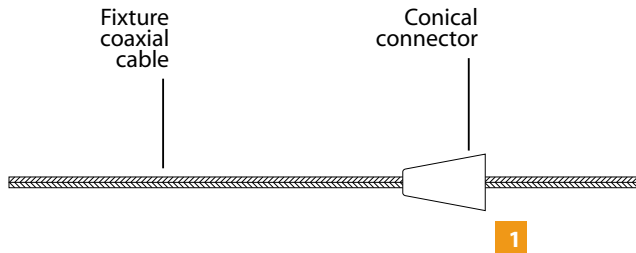


# Installation instructions for PD533 Coil Long Pendant and PD537 Coil Short Pendant

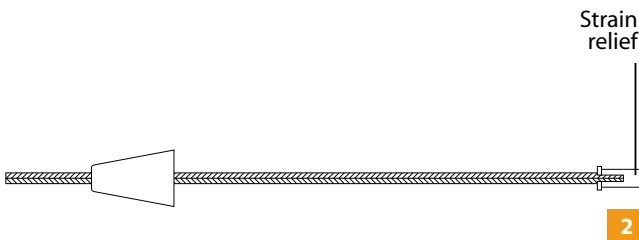


## SAVE THESE INSTRUCTIONS

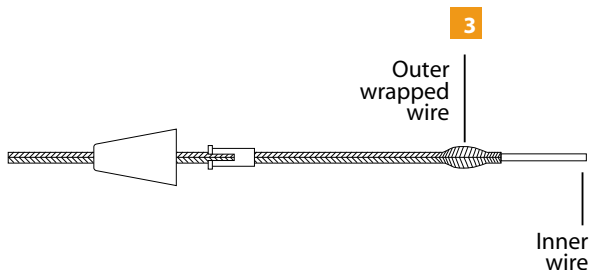
This product is ETL listed and suitable only for indoor dry locations and approved for use at any height above the finished floor.



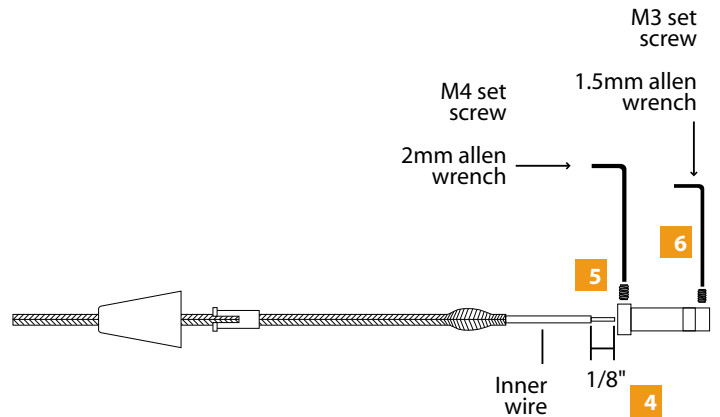
- 1 Insert the fixture coaxial cable through the conical connector



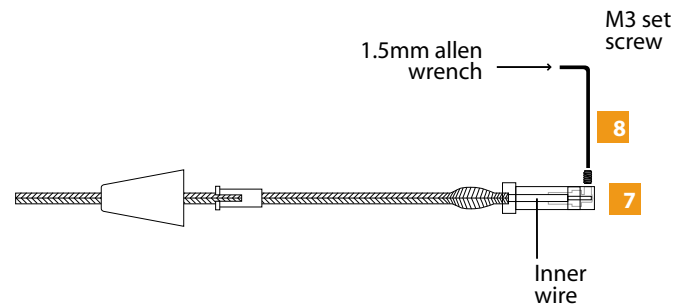
- 2 Insert the coaxial cable through the flared end of the strain relief.



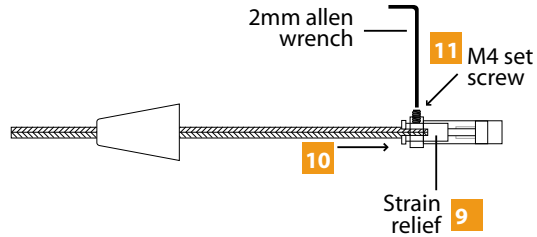
- 3 Slide the outer wrapped wire back to expose the inner wire.



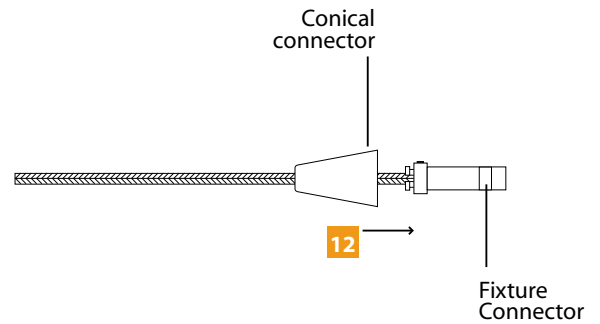
- 4 Strip 1/8" from end of the inner wire. Make sure that the stripped portion is not greater than 3/16".
- 5 Loosen (Do Not Remove) the M4 set screw with the provided 2mm Allen wrench.
- 6 Remove the M3 set screw with the provided 1.5mm Allen wrench.



- 7 While inserting the inner wire into the connector look through the set screw hole to make sure that the stripped portion of the inner wire contacts end of the connector.
- 8 Hold the coaxial cable in place; replace and tighten the M3 set screw with the 1.5MM Allen wrench. Lightly tug on the coaxial cable to make sure that the set screw connection is tight.



- 9** The strain relief slots should be rotated 90° away from the M4 set screw.
- 10** Slide and push the strain relief completely into the connector. This will force the outer wrapped wire to be inserted into the connector.
- 11** Tighten the M4 set screw with the 2mm allen wrench so that the strain relief holds the outer wrapped wire in place.



- 12** Slide the conical connector over the fixture connector.  
To install the fixture, refer to the instructions provided with the system.

**SAVE THESE INSTRUCTIONS**