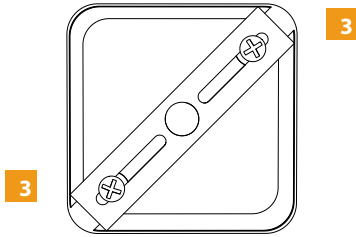
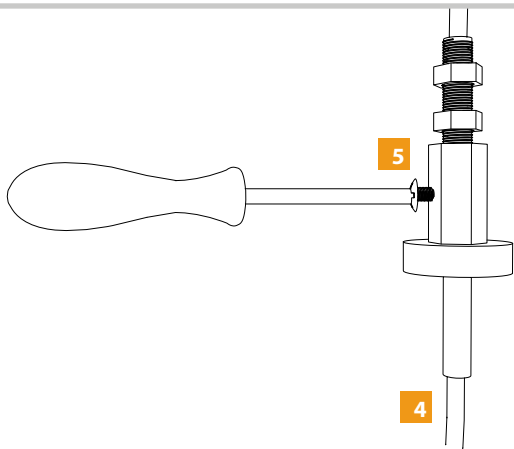
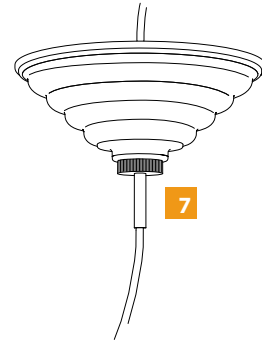


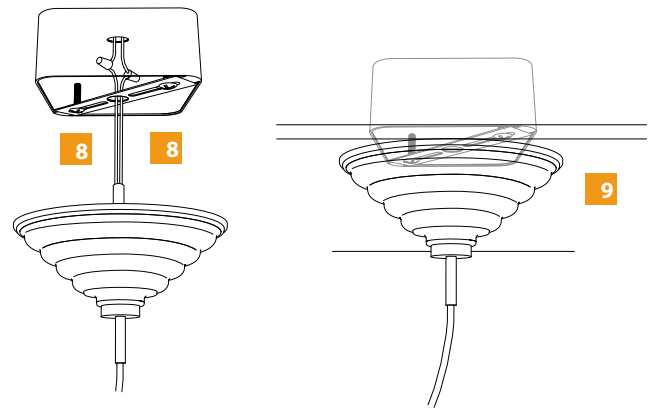
- 1 Turn off power.
- 2 Unpackage the fixture body.
- 3 Mount the crossbar on to the JBox.



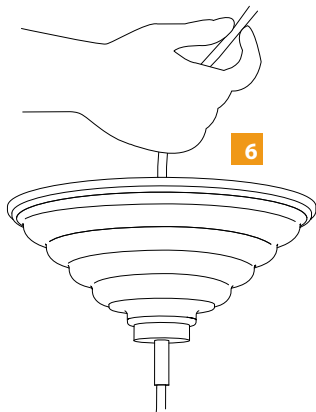
- 7 Slide canopy face down nipple assembly until it is resting on the exposed stem with a knurled head.



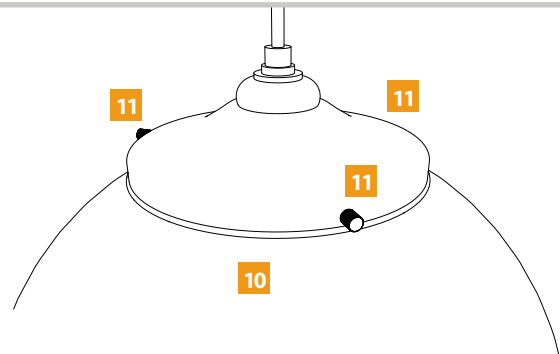
- 4 Install SVT cord through nipple assembly that the crossbar was attached to.
- 5 Tighten the strain relief screw on the brass coupler so it secures the SVT cord in place within the coupler at the desired length for the fixture. Do not adjust the hex nuts shown, they are to prevent the nipple from rotating further when installed.



- 8 Wire fixture into junction.
- 9 Screw assembly into the mounted crossbar until canopy presses flush with the ceiling and it is secured.



- 6 Test strain relief installation by firmly pulling on the SVT cord while bracing the coupler assembly to ensure it does not slip or move whatsoever.



- 10 Install lamping in the socket.
- 11 Unpackage glass and install by tightening the knurled screws around the top lip of the glass.
- 12 Apply power.

If there are any issues, please contact nickd@stonelighting.net