

This applies to the following model numbers in low voltage:
PD165, PD182, PD118, PD186, PD185, PD174, PD166, PD180, PD175, PD184, PD104, PD230

SAVE THESE INSTRUCTIONS



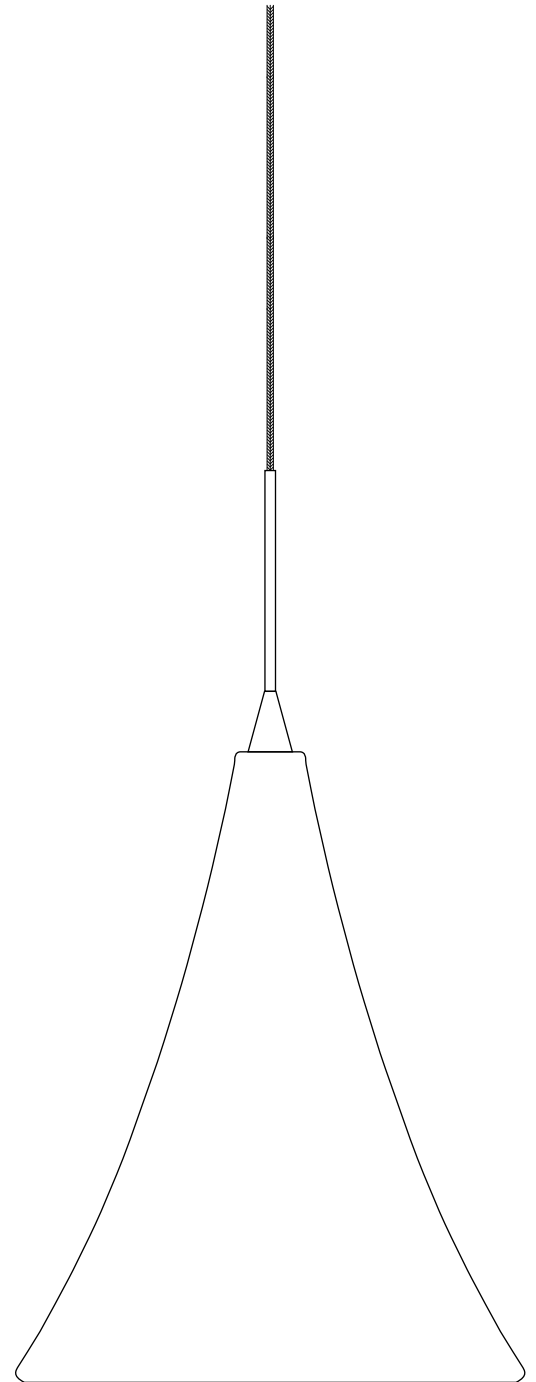
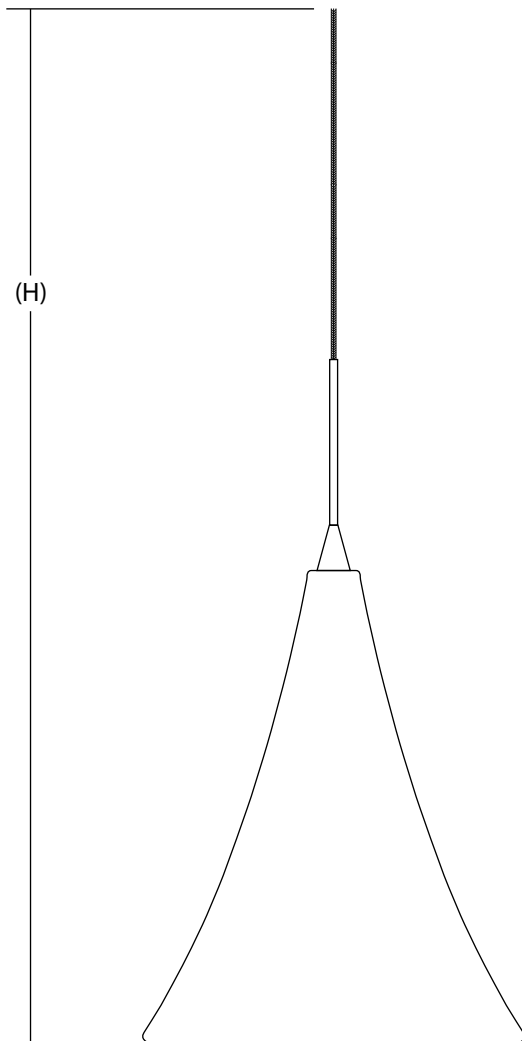
CAUTION: RISK OF FIRE:

Never replace a Xenon (Xelogen) lamp with a regular Halogen lamp.
A regular Halogen lamp requires a protective glass shield.

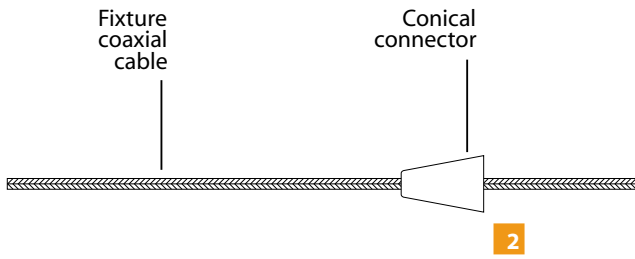
This product is ETL listed and suitable only for indoor dry locations
and approved for use at any height above the finished floor.

ADJUST THE FIXTURE HEIGHT

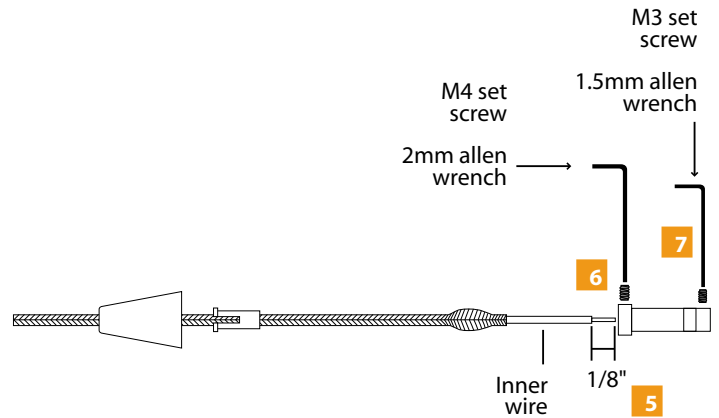
- 1 Cut the coaxial cable to the desired length with a sharp cutter. The overall fixture height (H) is measured from bottom of the glass shade to end of the coaxial cable.



This applies to the following model numbers in low voltage:
PD165, PD182, PD118, PD186, PD185, PD174, PD166, PD180, PD175, PD184, PD104, PD230



2 Insert the fixture coaxial cable through the conical connector



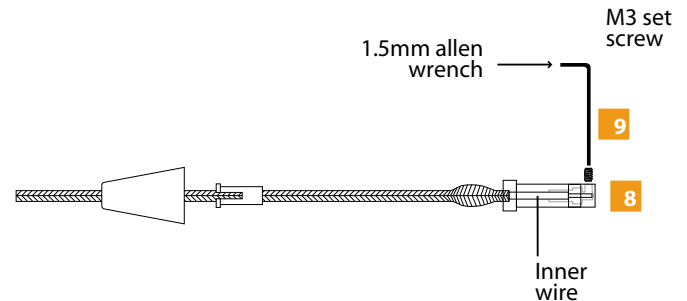
5 Strip 1/8" from end of the inner wire. Make sure that the stripped portion is not greater than 3/16".

6 Loosen (Do Not Remove) the M4 set screw with the provided 2mm Allen wrench.

7 Remove the M3 set screw with the provided 1.5mm Allen wrench.

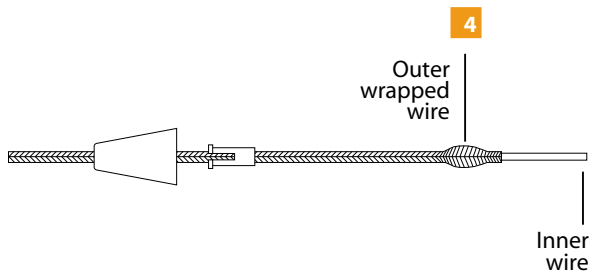


3 Insert the coaxial cable through the flared end of the strain relief.



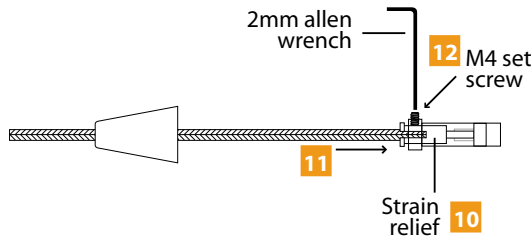
8 While inserting the inner wire into the connector look through the set screw hole to make sure that the stripped portion of the inner wire contacts end of the connector.

9 Hold the coaxial cable in place; replace and tighten the M3 set screw with the 1.5MM Allen wrench. Lightly tug on the coaxial cable to make sure that the set screw connection is tight.

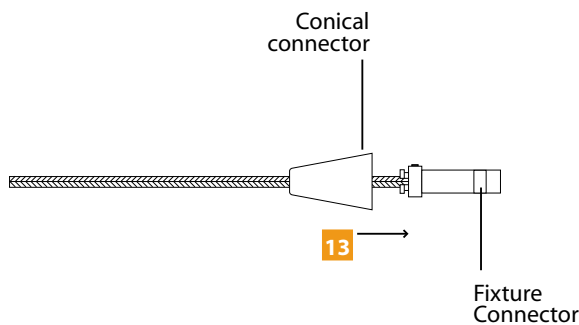


4 Slide the outer wrapped wire back to expose the inner wire.

This applies to the following model numbers in low voltage:
PD165, PD182, PD118, PD186, PD185, PD174, PD166, PD180, PD175, PD184, PD104, PD230



- 10** The strain relief slots should be rotated 90° away from the M4 set screw.
- 11** Slide and push the strain relief completely into the connector. This will force the outer wrapped wire to be inserted into the connector.
- 12** Tighten the M4 set screw with the 2mm allen wrench so that the strain relief holds the outer wrapped wire in place.



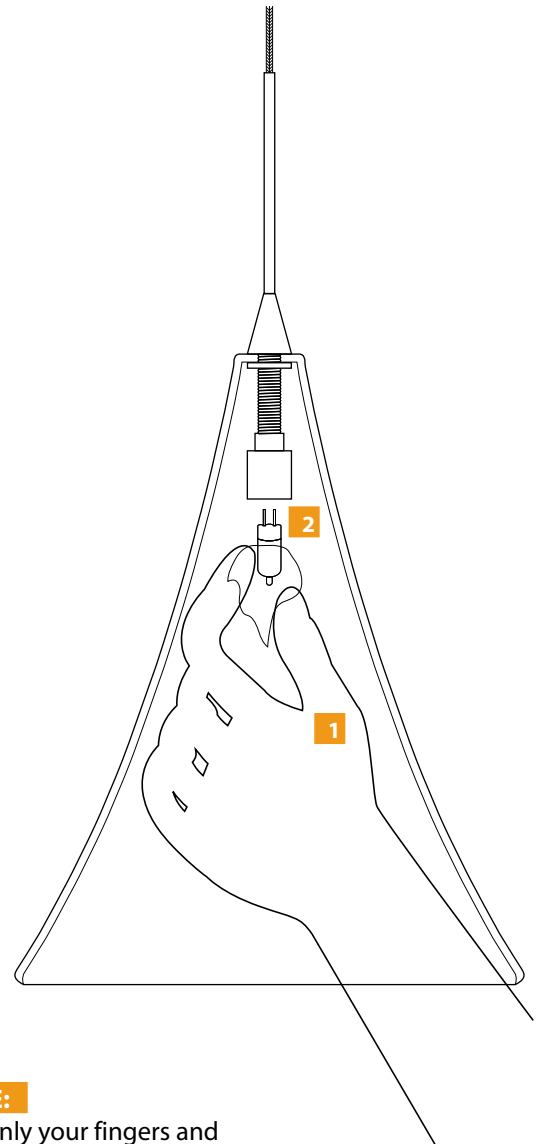
- 13** Slide the conical connector over the fixture connector.

To install the fixture, refer to the instructions provided with the system.

SAVE THESE INSTRUCTIONS

INSTALL THE LAMP

- 1** Use only your fingers and soft cloth to place the lamp.
- 2** Push the lamp pins completely into the socket holes.



NOTE:
Use only your fingers and soft cloth to replace the lamp.

Use MAX 35 Watt, Type Xelogen (Xenon) Bi-Pin Lamp.

WARNING: RISK OF FIRE
Never replace a Xenon (Xelogen) lamp with a regular Halogen lamp. A regular Halogen lamp requires a protective glass shield.