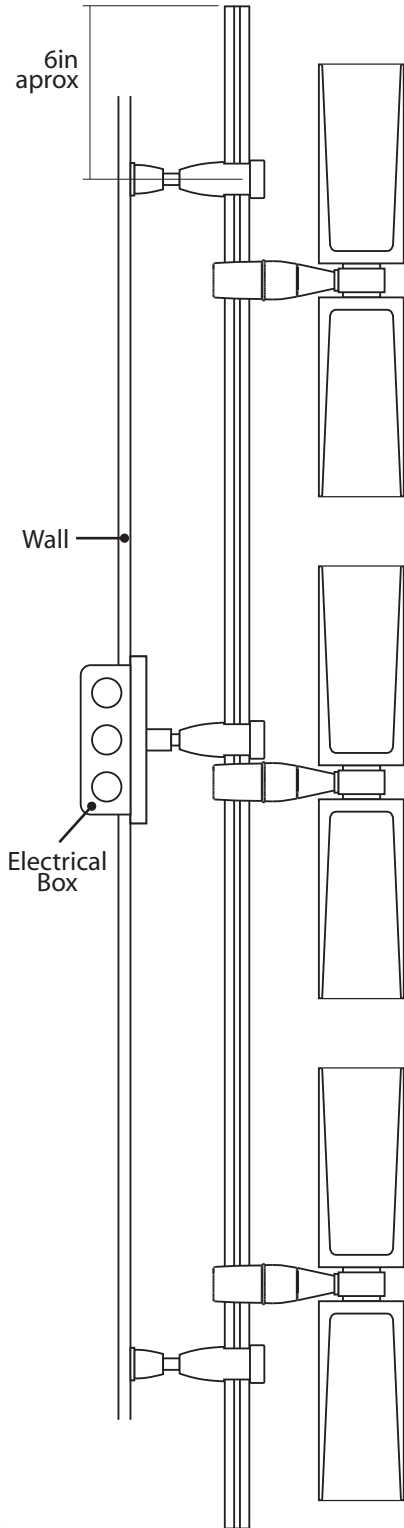


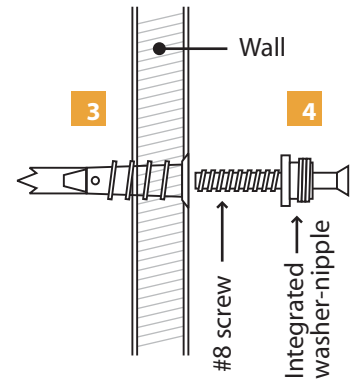
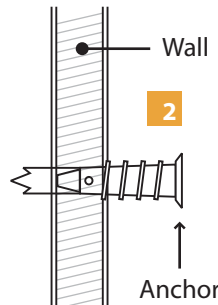
SAVE THESE INSTRUCTIONS

This product is ETL listed for indoor dry locations.

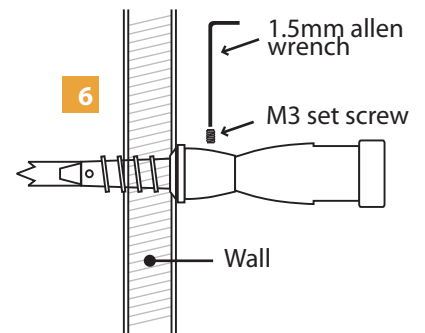
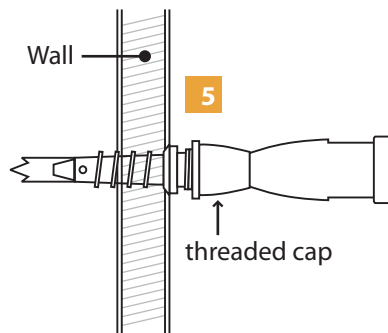
Place adjustable Hangers approximately 6in from the edge of rail.



- 1** Hold the rail against the wall or use a plumb bob to mark the hanger locations onto the wall.
- 2** Tap the anchor onto the marked locations up to the threaded portion with a hammer.
- 3** Screw the threaded portion of the anchors in with a Phillips screwdriver.

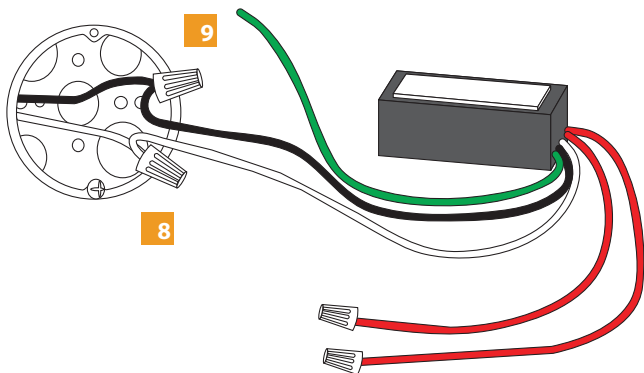


- 4** Mount the integrated washer-nipple to the anchor with the #8 screw provided.
- 5** Tighten the threaded cap completely onto integrated washer-nipple.

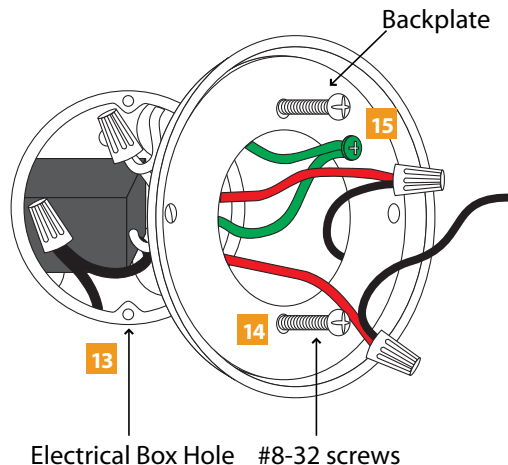


- 6** Push the Hanger rod completely into the threaded cap and tighten the M3 set screw with the 1.5mm Allen wrench.
- 7** Repeat steps 4 through 6 for the remaining Hanger.

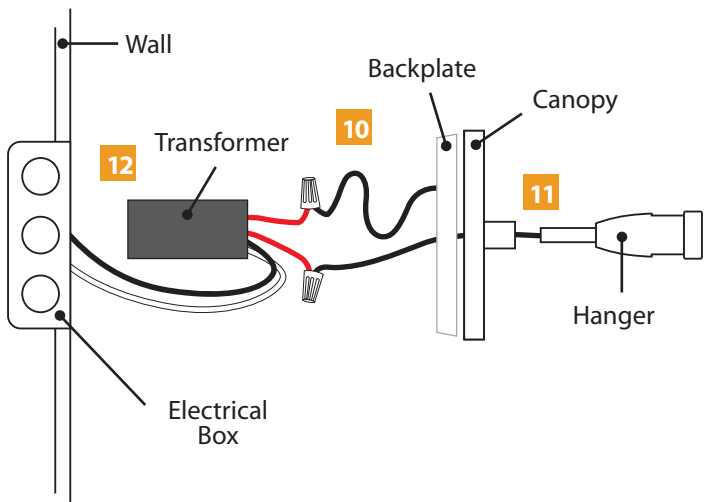




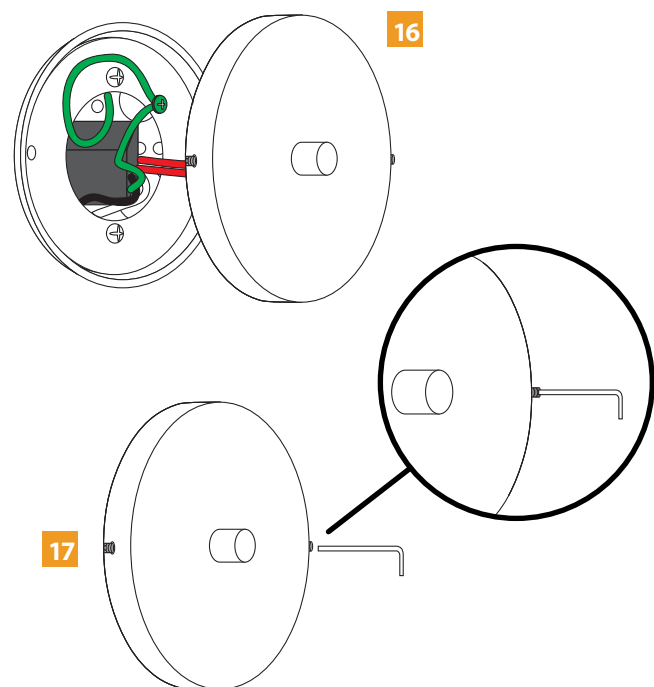
- 8** Connect the transformer white wire to the neutral power line wire with a wire nut.
- 9** Connect the transformer black wire to the hot power line wire with a wire nut.



- 13** Line up two backplate holes with the electrical box holes.
- 14** Mount the backplate to the electrical box with the two #8-32 screws provided.
- 15** In accordance with local electrical codes, make sure that the backplate and the transformer green wire are grounded.

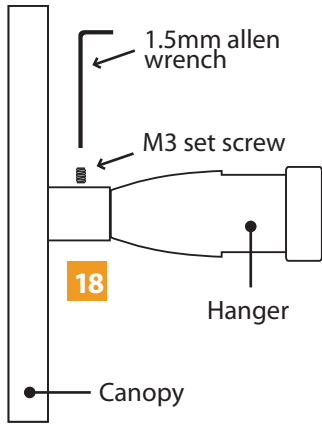


- 10** Connect black cable from backplate to red cable from transformer.
- 11** Connect black cable from Hanger to red cable from transformer.
- 12** Place the transformer inside the electrical box. Use the attached sticky pad to secure it against the electrical box.



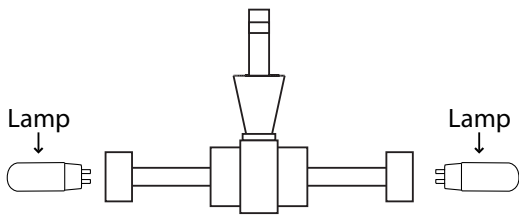
- 16** Place the fixture canopy onto the backplate.
- 17** Level the canopy vertically and tighten the two M3 set screws with the 1.5mm allen wrench to secure the fixture in place.





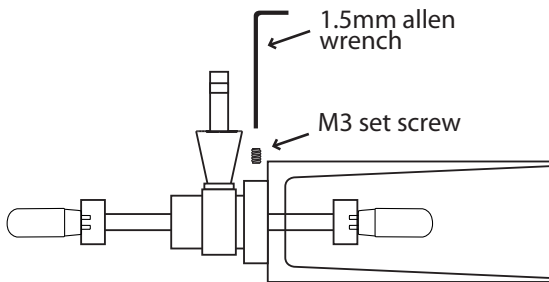
- 18** Push the Hanger rod completely into the canopy cap and tighten the M3 set screw with the 1.5mm Allen wrench.

INSTALL THE LAMPS



- 1** Align and push the lamp pins completely into the socket holes.
- 2** Repeat step 1 for the remaining lamps.

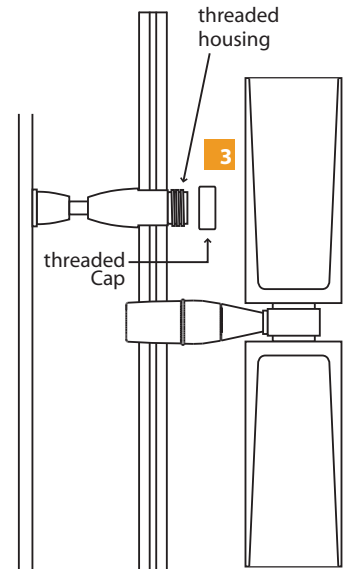
INSTALL THE GLASSES



- 1** Push the glass completely into the Head and tighten the M3 set screw with the 1.5mm Allen wrench.
- 2** Repeat step 1 for the remaining glasses.

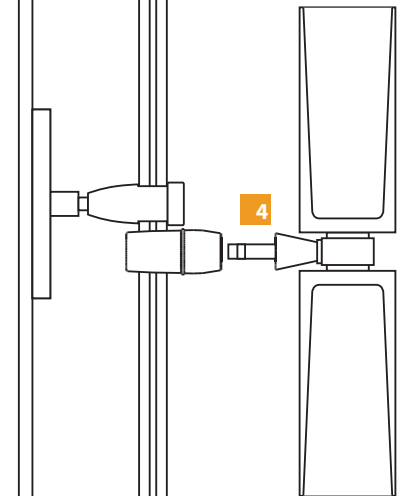
- 3** Tighten the threaded Cap to threaded housing.

Repeat step for the remaining Hanger.



- 4** Insert the fixture EZ Jack male connector into the EZ Jack adapter female.

Repeat step with remaining fixtures.



- 5** Turn on the light.

