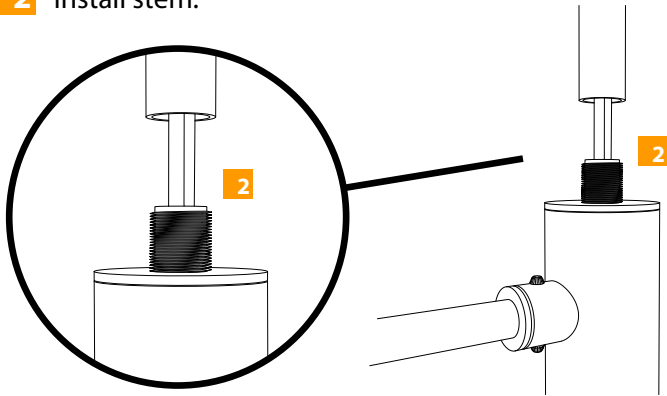
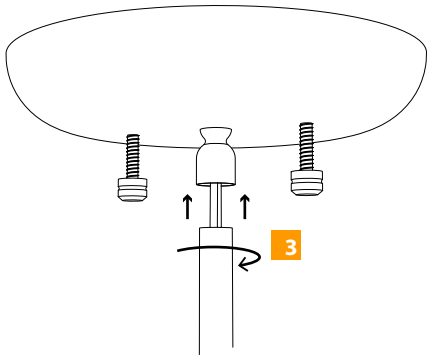


1 Turn off power. Unpack Axel, stem, and parts.

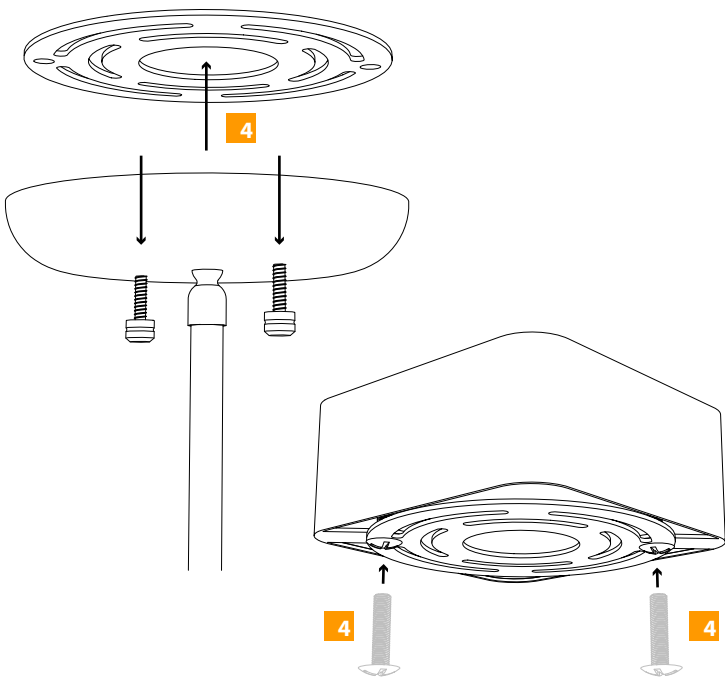
2 Install stem.



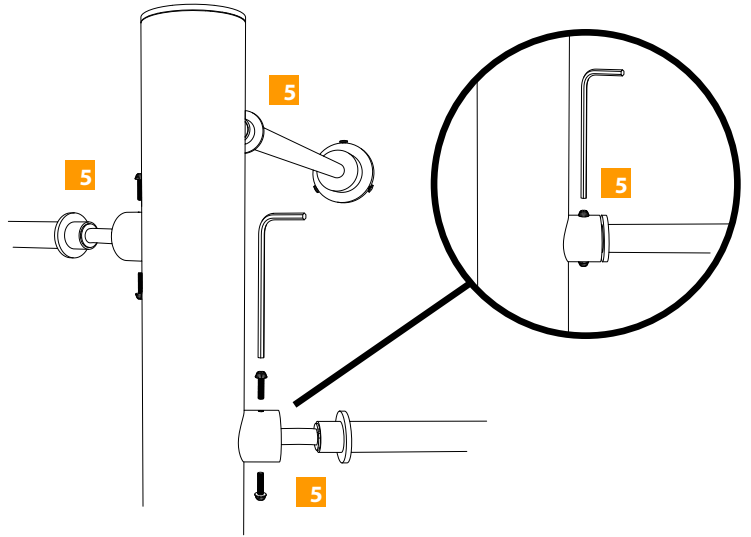
3 Install canopy.



4 Remove and install backplate onto JBox.

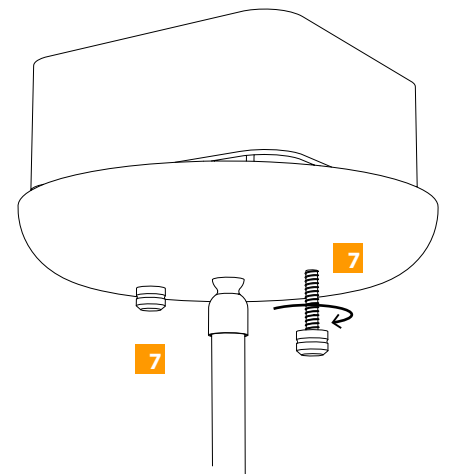
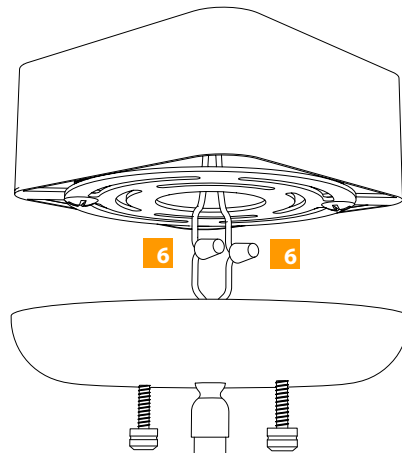


5 Install fixture arms and secure with hex screws.



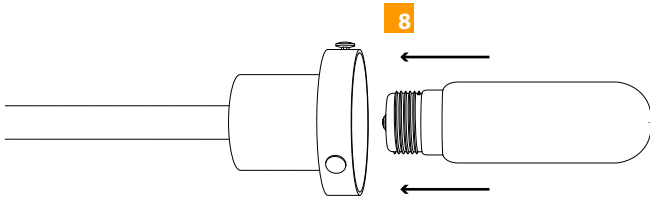
6 Wire fixture to cables from the JBox.

7 Install fixture onto mounted backplate.

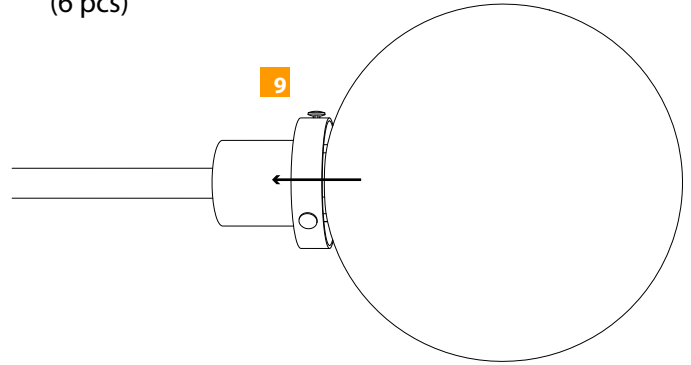


Installation Instructions for CH556 Axel Chandelier

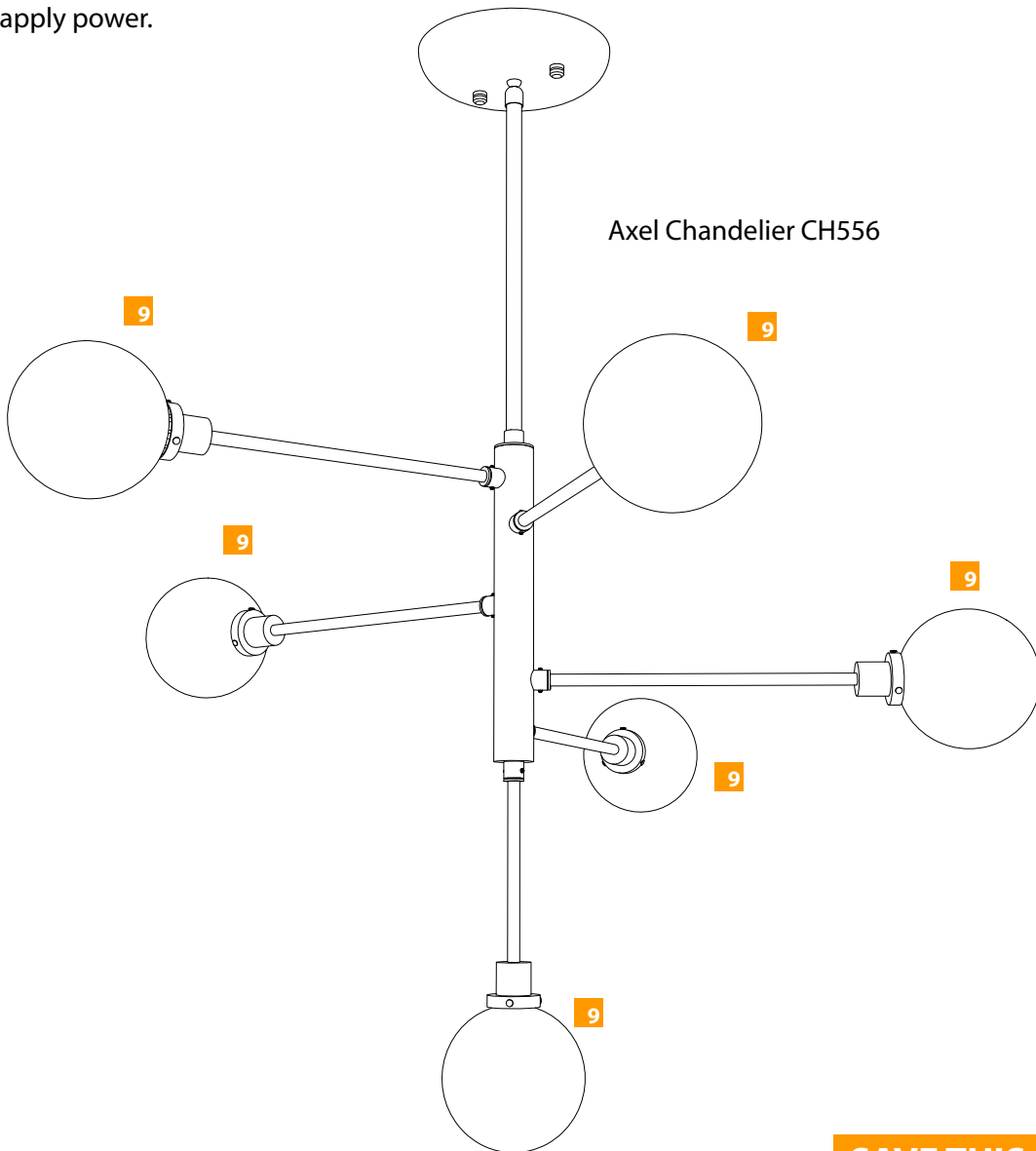
8 Install bulbs. (6 pcs)



9 Install glass around bulbs. (6 pcs)



10 Reapply power.



SAVE THIS INSTRUCTIONS